

### Operating Limits

- Max viscosity: 200cSt
- Max system pressure: 100 bar (600 lbs) standard
- Higher pressure version available on request.
- Flow up: to 300mc/h
- Head up: to 700 m
- Temperature range from: -185 °F (-120°C) to +662 °F (+350°C), without heat exchanger
- Electric motors: from 37kW up to 1000kW
- Available ATEX II - / 2G cbk II C T2-T5

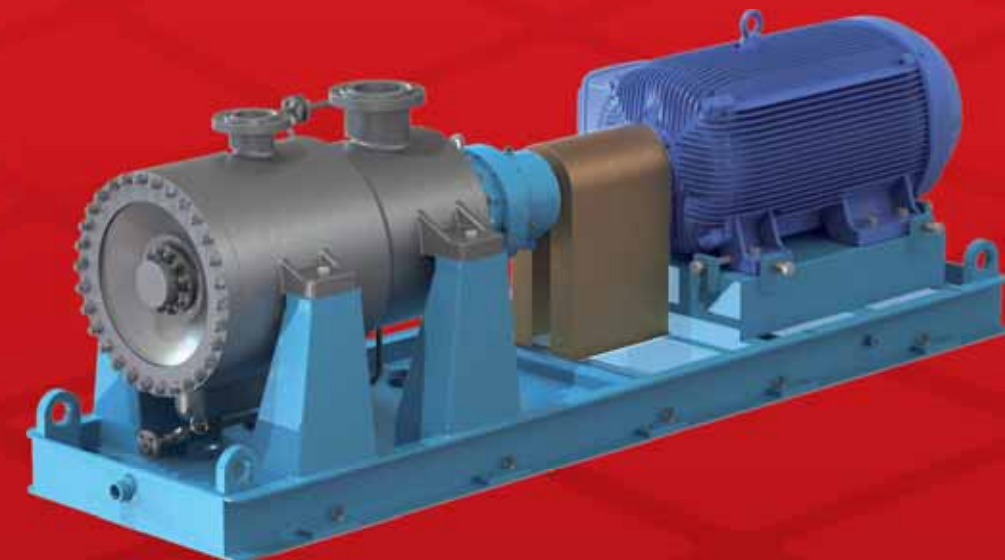
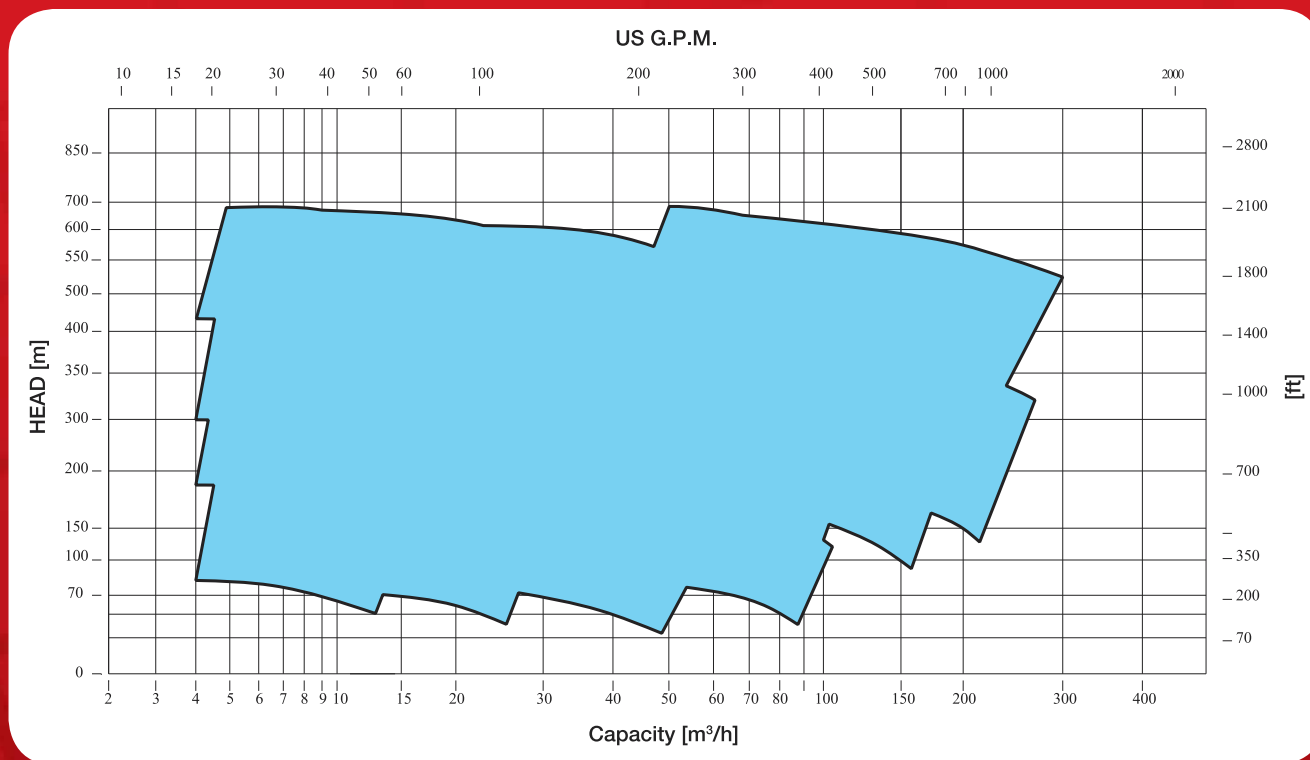
### Pump construction

Top-Top , center line mounted, for high nozzles loading capability.  
Heavy duty API 685 - 2nd Edition, BB5 radially split style, bare frame mounting.

#### Connections:

- Flange rating per DIN Standard PN 40-63-100
- Flange rating per ANSI B16.5 300# and 600#
- Other on request.

## HORIZONTAL, BB5 AXIALLY SPLIT CASING SEALLESS MULTISTAGE CENTRIFUGAL PUMPS WITH PERMANENT MAGNET DRIVE SYSTEM



# CN MAG-MS

Manufactured by:



A unit of  
**Mischiatti**  
GROUP

**M PUMPS s.r.l.** - Via dell'Artigianato, 120  
45015 Corbola (Ro) - Italy - [www.mpumps.it](http://www.mpumps.it)  
Tel. +39 0426 346304 - Fax +39 0426 349126

For more information please contact:



### CN MAG-MS Multistage Series

The separation of liquid chamber/atmosphere by means of an isolation shell is the best solution to pump aggressive, explosive and toxic liquids, hydrocarbons, heat transfer liquids and liquids difficult to seal.

The hermetic sealless is the most convenient and safety solution for kind of industries.

A wide range of pumps covers the different performances.



# PUMP DETAILS

## Casing Cover

- Flanged Head, studs/nuts
- O-ring or spiral wound gaskets

## Axial Thrust Balance

Opposed impeller and diffuser configuration to minimise axial and radial hydraulic thrusts.



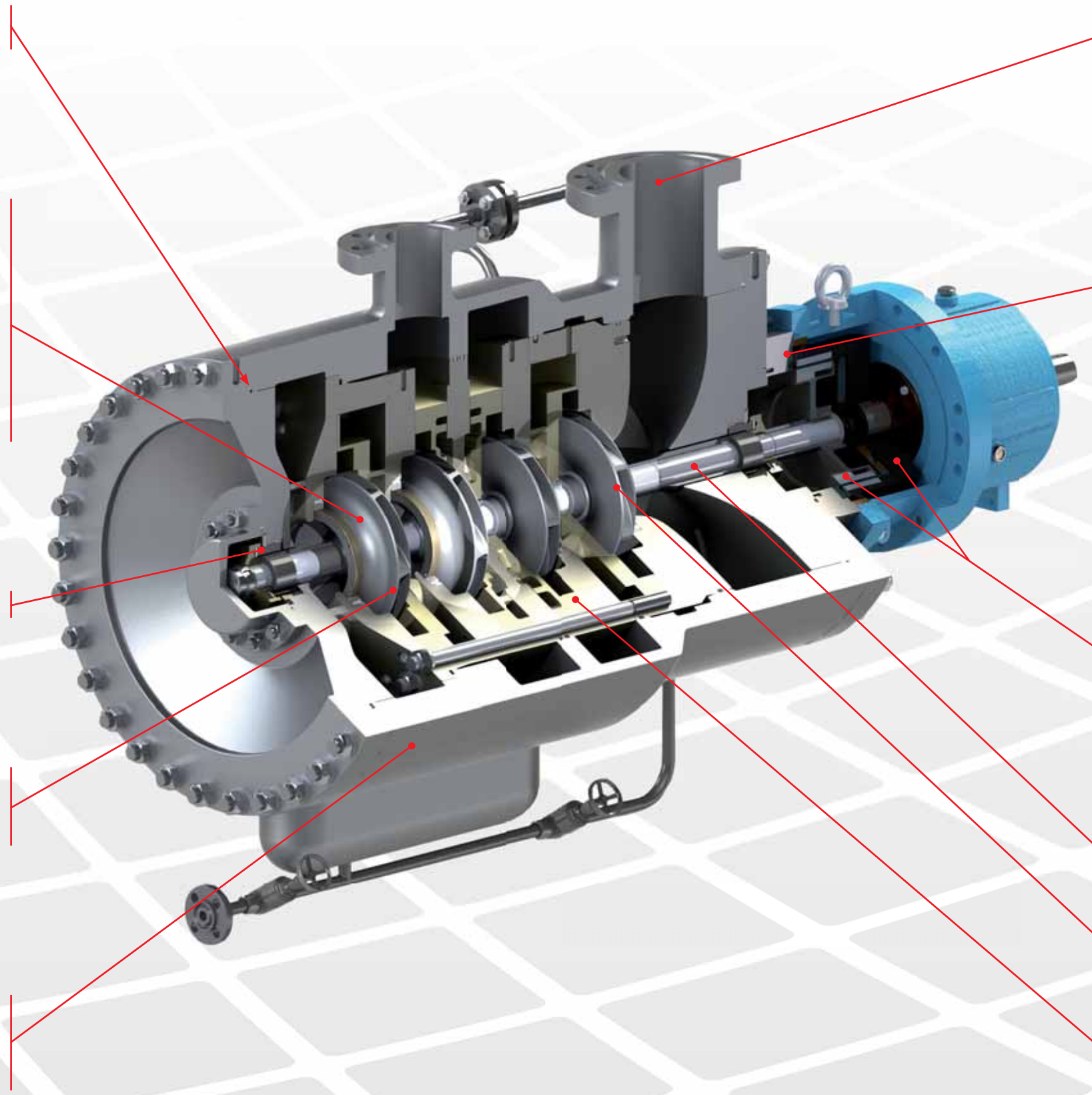
Wearing parts can be supplied in a variety of materials and hardness depending on pump material and application.

## Diffusers / Impellers

Allow replacement of individual stage piece instead of entire volute.  
Number of stages from 2 to 8.  
Blank stages can be supplied for future conditions.

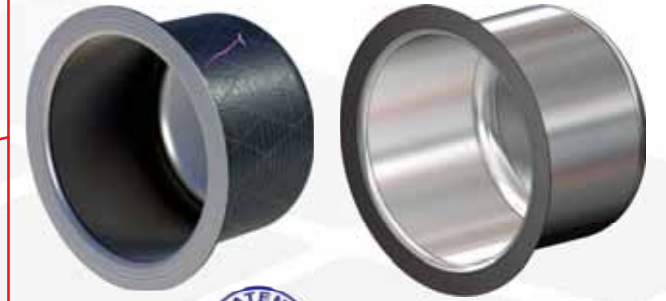
## Barrel

Centerline casing mounting for high temperature stability and maximum nozzle loading capability.  
One piece casting with nozzles and flanges.  
Jacketing system available.  
Other options on request



Top-Top suction and discharge nozzles integrally cast on barrel casing.  
Side-side or top-side nozzles available on request.

Rear shell Titanium Alloy made designed to withstand high pressures applications.  
Hybrid rear casing technology available for energy saving configuration.



FILE NUMBER:  
PD2010A000249



High power synchronous magnetic coupling designed by our Technical Office and with rare earth magnetic elements mechanically locked.  
The high performance magnets can operate at liquid temperature of up to 662 °F (350 °C) without external cooling. Installed power up to 1000 kW / 1450 HP.



Robust Shaft and Rotor, designed for low stress level, fully machined and dynamically balanced

First stage impeller Low Nss and improved NPSHr design available

Internal Cartridge assembly  
Pullout construction  
Internal bolts for assembly/disassembly  
Single stages sealing system



**VIKING  
PUMP**

A Unit of IDEX Corporation

Viking Gear Pumps

**Liquiflo** 

Liquiflo Gear Pumps



**FINISH THOMPSON INC.**

Finish Thompson Drum & Centrifugal Pumps

**MICROPUMP**

Micropump Gear Pumps

**OFFICIAL**

**DISTRIBUTORS**

**FOR:**



Codip Air Operated PTFE Diaphragm Pumps

**WANNER**  
*Hydra-Cell*  
Seal-less Pump Technology

Hydra-Cell High Pressure Diaphragm Pumps

**HNP M**  
HNP Mikrosysteme

HNP Gear Pumps

**ISMATEC**

Ismatec Peristaltic Pumps

 **FLUID** METERING, INC.

Fluid Metering Piston Pumps



M Pumps, Centrifugal,  
Turbine and Vane Pumps

