

2-SERIES MAG-DRIVE MINI-PUMP
GENERAL INFORMATION

DESCRIPTION

The **2-Series Mini-Pump** is a low-flow/ high-pressure external gear pump that is completely field repairable. With a ruggedly designed 316 Stainless Steel or Titanium body and several material options for shafts, gears, wear plates and bearings, these pumps can be used in a wide variety of services.

TYPICAL USES & APPLICATIONS

The **2-Series Mini-Pump** is typically used in chemical processing plants, pilot plants, laboratories, paper-making, chemical dosing and metering, pipeline sampling and waste-water treatment.

MAINTENANCE

The **2-Series Mini-Pump** was designed with reliability and ease of maintenance in mind. The gear and shaft are permanently fixed to each other making repairs easy and fool-proof. Standard repair kits contain all wearing parts and static O-rings:

- Gear-Shaft Assemblies
- Bearing-Wear Plate Combinations
- O-rings

CUSTOMIZATION

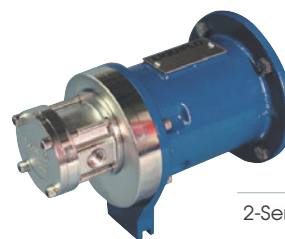
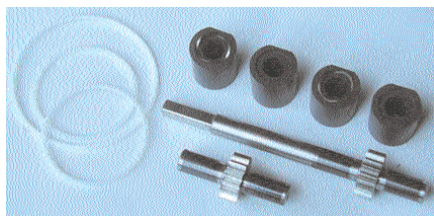
Contact factory.

FEATURES

- Mag-Drive
- Corrosion resistant materials
- Pulseless flow
- Flow rates from 1 to 60 GPH
- Viscosities to 5,000 CPS
- Differential pressures up to 225 PSI
- Low NIPR (NPSHR)
- Self-compensating wear plates limit slip on low viscosity fluids
- High torque SmCo Magnets
- Minutes to repair

REPAIR KITS

Repair Kits simplify inventory and speed repair. All parts can also be purchased separately.



2-Series Mini-Pump



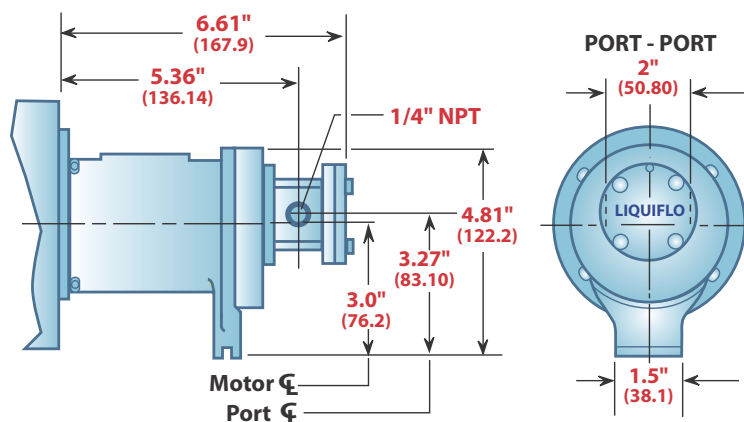
2-Series Mini-Pump close-coupled to motor

MATERIALS AVAILABLE

HOUSINGS	GEARS	BEARINGS	SHAFTS
316 SS TITANIUM	316 SS ALLOY-C PEEK TITANIUM	CARBON PEEK	316 SS TITANIUM

Note: Tungsten Carbide and Chrome Oxide Coated Shafts are available.

Dimensional Data -inches (mm) **2-SERIES Mag-Drive Mini Pump**



2-SERIES Mag-Drive Mini Pump

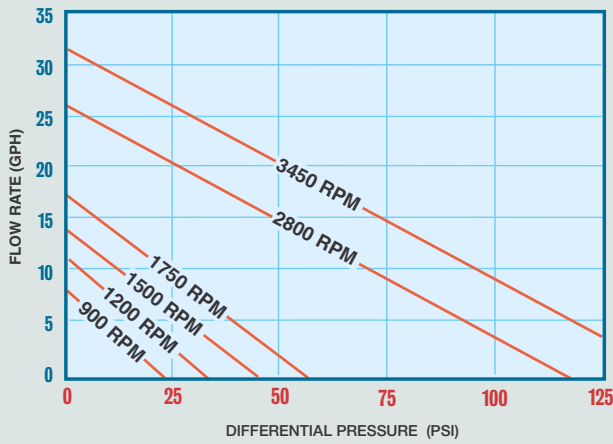
2 - S E R I E S
R O T O G E A R[®]
E X T E R N A L
G E A R P U M P

MODEL	2R (Reduced)	2F (Full)
PORT SIZE	1/4" NPT/BSPT	1/4" NPT/BSPT
MAX FLOW	30 GPH; 113 LPH	60 GPH; 227 LPH
MAX DIFFERENTIAL PRESSURE	225 PSI; 15.5 BAR	225 PSI; 15.5 BAR
MAX DISCHARGE PRESSURE	300 PSI; 20.7 BAR	300 PSI; 20.7 BAR
MAX TEMPERATURE	500°F; 260°C	500°F; 260°C
MIN TEMPERATURE	- 40°F; -40°C	- 40°F; -40°C
MAX VISCOSITY (300 RPM)	5,000 CPS	5,000 CPS
NPSHR @ 1750 RPM	2 FT; 0.6 M	2 FT; 0.6 M
LIFT (DRY)	1.2 FT	1.2 FT
WEIGHT (without motor)	5 LBS; 2.3 KGS	5 LBS; 2.3 KGS

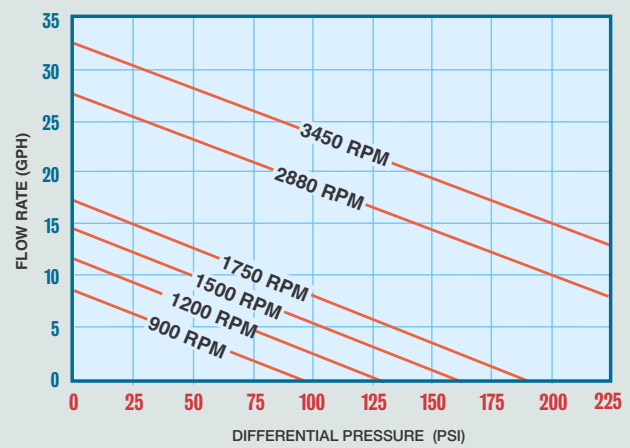
2R

PERFORMANCE CURVES

1 CPS Fluid (Water)



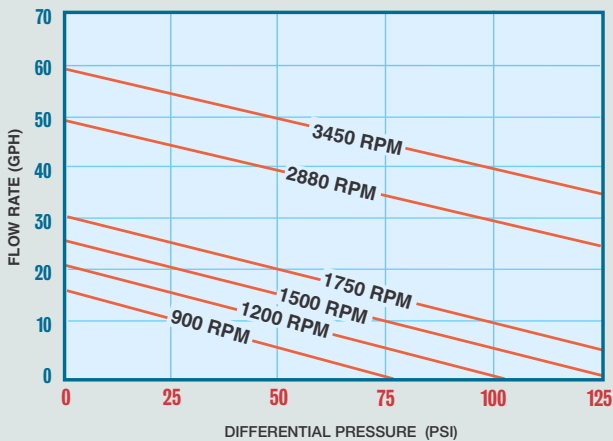
30 CPS Fluid (Oil)



2F

PERFORMANCE CURVES

1 CPS Fluid (Water)



30 CPS Fluid (Oil)

