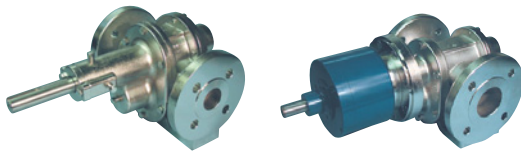


314F SEALED 314F-MC MAG-DRIVE



**3 - SERIES
ROTOGEAR®
GEAR PUMP**

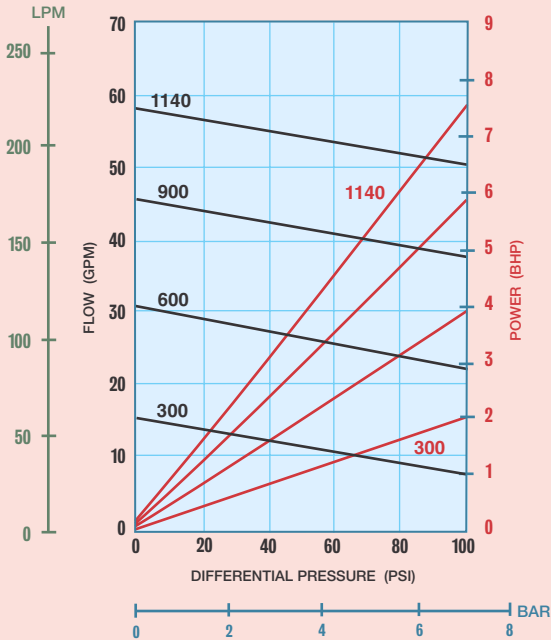


Sealed

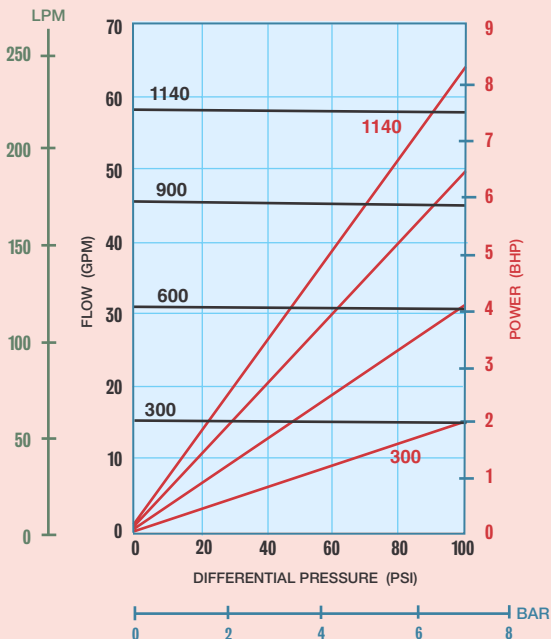
Mag-Drive

PERFORMANCE CURVES

1 CPS Fluid (Water)



100 CPS Fluid (Oil)

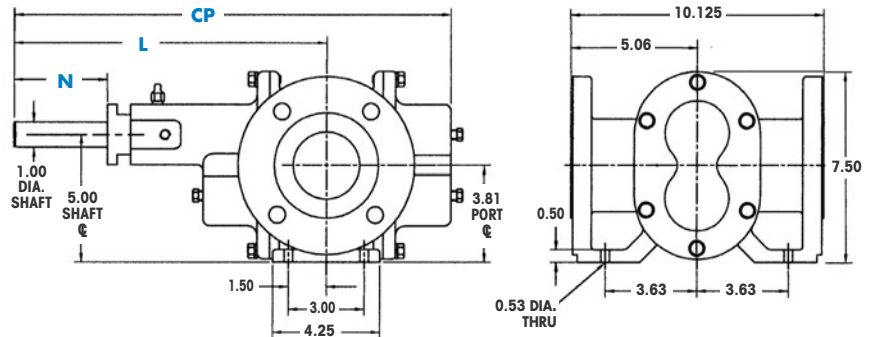


PORT SIZE	2 1/2" FLG
MAX FLOW	58 GPM; 220 LPM
MAX DIFFERENTIAL PRESSURE	100 PSI; 7 BAR
MAX DISCHARGE PRESSURE	270 PSI; 18.6 BAR
MAX TEMPERATURE	500°F; 260°C
MIN TEMPERATURE	-40°F; -40°C
MAX VISCOSITY	100,000* CPS
NPSHR @ 1150 RPM	3 FT; 0.9 M
LIFT (DRY)	20 FT; 6.1 M
WEIGHT (without motor)	
SEALED	67 LBS; 30.4 KGS
MAG-DRIVE	85 LBS; 38.6 KGS

* Higher viscosities possible. Contact factory.

Dimensional Data (inches)

314F Sealed (Long-coupled only)



SEAL CONFIGURATIONS

DIMENSION	SEAL CONFIGURATIONS	
	SINGLE MECHANICAL SEAL	DOUBLE MECHANICAL SEAL
CP ⁽¹⁾	19.69	19.69
N	6.25 ⁽²⁾	6.18
L	14.75	14.75

NOTES: (1) Add .312 inches for Bearing Flush Plug.
(2) Minimum dimension.

Dimensional Data (inches)

314F-MC Mag-Drive (Long-coupled only)

