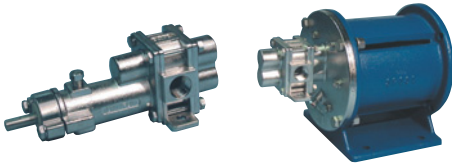


# 35R SEALED 35R-MC MAG-DRIVE



**3 - SERIES  
ROTOGEAR®  
GEAR PUMP**

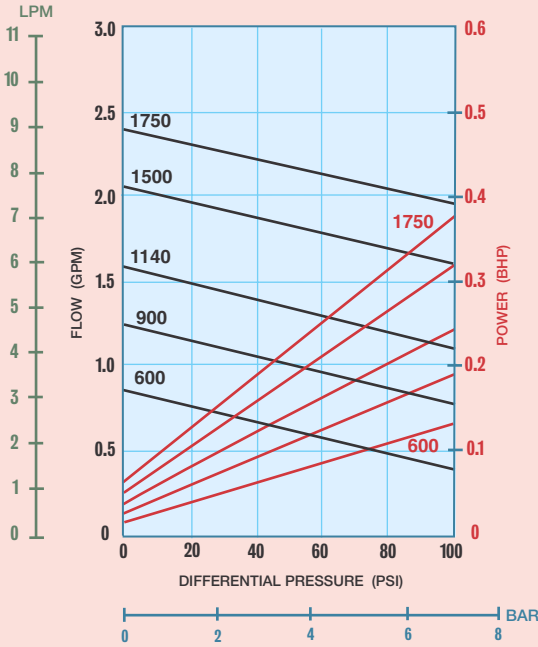


Sealed

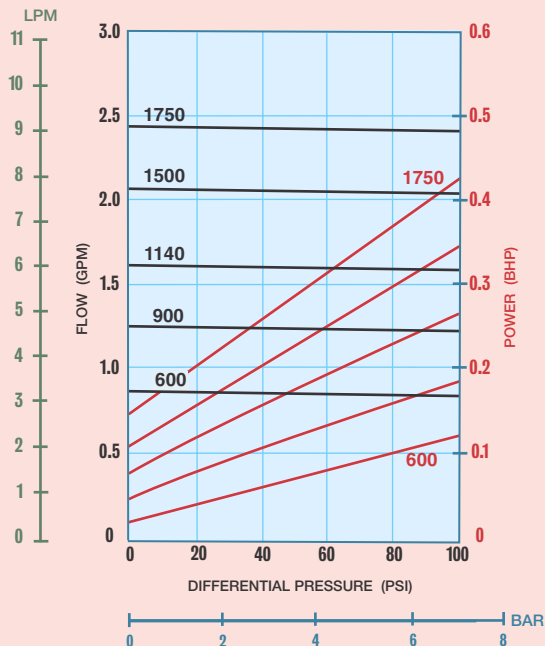
Close Coupled:  
Sealed or Mag-Drive

## PERFORMANCE CURVES

1 CPS Fluid (Water)



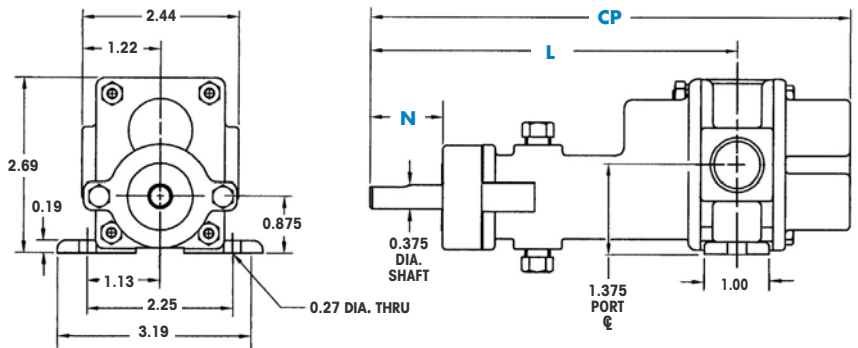
100 CPS Fluid (Oil)



<b>PORT SIZE</b>	<b>1/2" NPT/BSPT/FLG</b>
<b>MAX FLOW</b>	<b>2.4 GPM; 9.1 LPM</b>
<b>MAX DIFFERENTIAL PRESSURE</b>	<b>100 PSI; 7 BAR</b>
<b>MAX DISCHARGE PRESSURE</b>	<b>300 PSI; 20.7 BAR</b>
<b>MAX TEMPERATURE</b>	<b>500°F; 260°C</b>
<b>MIN TEMPERATURE</b>	<b>-40°F; -40°C</b>
<b>MAX VISCOSITY</b>	<b>100,000* CPS</b>
<b>NPSHR @ 1750 RPM</b>	<b>2 FT; 0.6 M</b>
<b>LIFT (DRY)</b>	<b>2 FT; 0.6 M</b>
<b>WEIGHT (without motor)</b>	
<b>SEALED</b>	<b>3.5 LBS; 1.6 KGS</b>
<b>MAG-DRIVE</b>	<b>32 LBS; 15 KGS</b>

\* Higher viscosities possible. Contact factory.

Dimensional Data (inches)



Long-Coupled: 35R Sealed

DIMENSION	SEAL CONFIGURATIONS		
	PACKING SINGLE MECHANICAL SEAL DOUBLE MECHANICAL SEAL	EXTERNAL MECHANICAL SEAL	LIP SEAL
CP(1)	7.44	8.56	7.44
N	0.80 (2)	1.42	0.80
L	5.67	6.81	5.67

NOTES: (1) Add .312 inches for Bearing Flush Plug.  
(2) Minimum dimension.

Dimensional Data (inches)

Close-Coupled: 35R-MC & 35R Sealed

