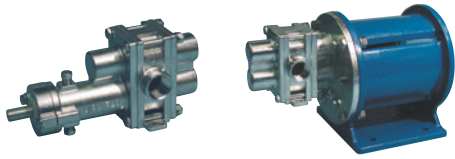


# 37R SEALED 37R-MC MAG-DRIVE



**3 - SERIES  
ROTOGEAR®  
GEAR PUMP**

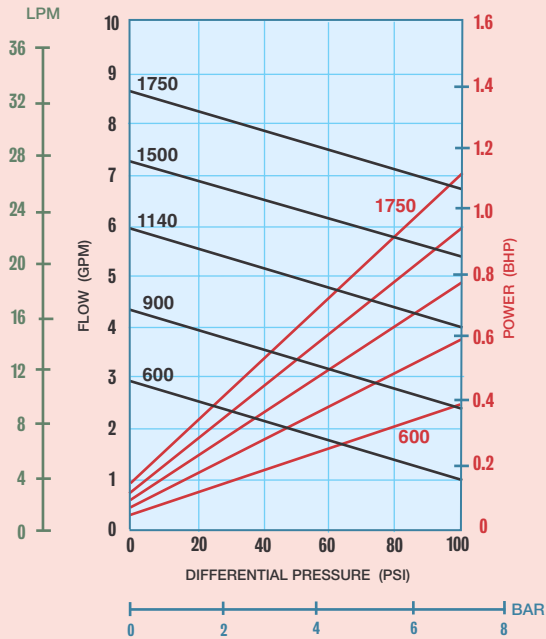


Sealed

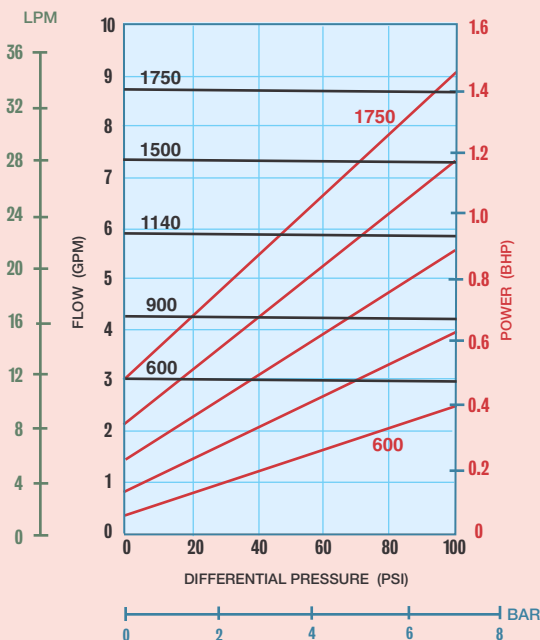
Close Coupled:  
Sealed or Mag-Drive

## PERFORMANCE CURVES

1 CPS Fluid (Water)



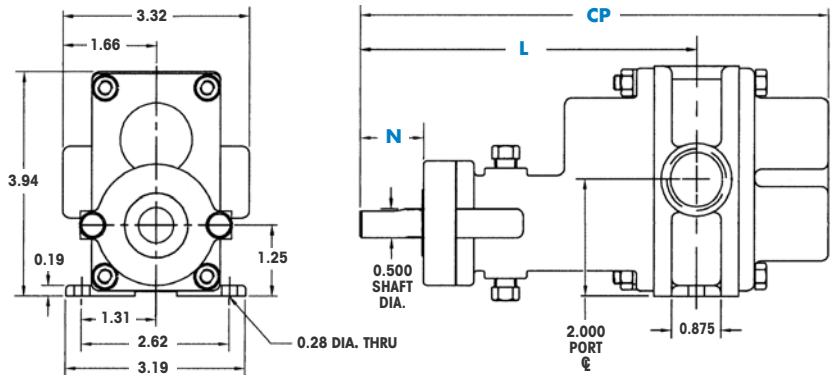
100 CPS Fluid (Oil)



<b>PORT SIZE</b>	<b>3/4" NPT/BSPT/FLG</b>
<b>MAX FLOW</b>	<b>8.6 GPM; 32.5 LPM</b>
<b>MAX DIFFERENTIAL PRESSURE</b>	<b>100 PSI; 7 BAR</b>
<b>MAX DISCHARGE PRESSURE</b>	<b>225 PSI; 15.5 BAR</b>
<b>MAX TEMPERATURE</b>	<b>500°F; 260°C</b>
<b>MIN TEMPERATURE</b>	<b>-40°F; -40°C</b>
<b>MAX VISCOSITY</b>	<b>100,000* CPS</b>
<b>NPSHR @ 1750 RPM</b>	<b>5.2 FT; 1.6 M</b>
<b>LIFT (DRY)</b>	<b>6 FT; 1.8 M</b>
<b>WEIGHT (without motor)</b>	
<b>SEALED</b>	<b>6.5 LBS; 3 KGS</b>
<b>MAG-DRIVE</b>	<b>36 LBS; 16 KGS</b>

\* Higher viscosities possible. Contact factory.

Dimensional Data (inches)

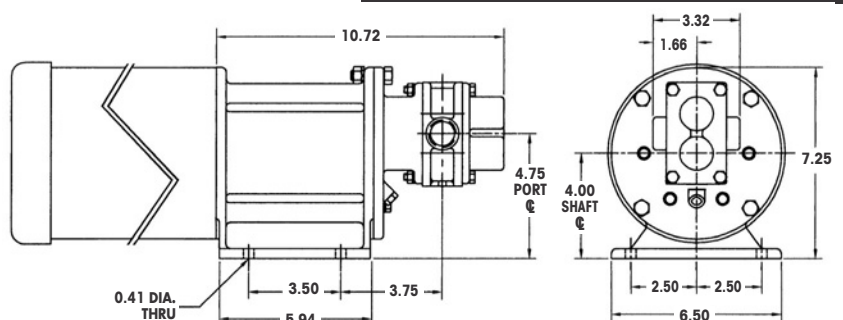


### Long-Coupled: 37R Sealed

DIMENSION	SEAL CONFIGURATIONS		
	PACKING SINGLE MECHANICAL SEAL DOUBLE MECHANICAL SEAL	EXTERNAL MECHANICAL SEAL	LIP SEAL
<b>CP(1)</b>		<b>10.32</b>	<b>8.19</b>
<b>N</b>	<b>0.94 (2)</b>	<b>2.44</b>	<b>0.94</b>
<b>L</b>	<b>5.98</b>	<b>8.10</b>	<b>5.98</b>

NOTES: (1) Add .312 inches for Bearing Flush Plug.  
(2) Minimum dimension.

Dimensional Data (inches)



### Close-Coupled: 37R-MC & 37R Sealed