

H5F SEALED H5F-MC MAG-DRIVE



**H - SERIES
ROTOGEAR®
GEAR PUMP**

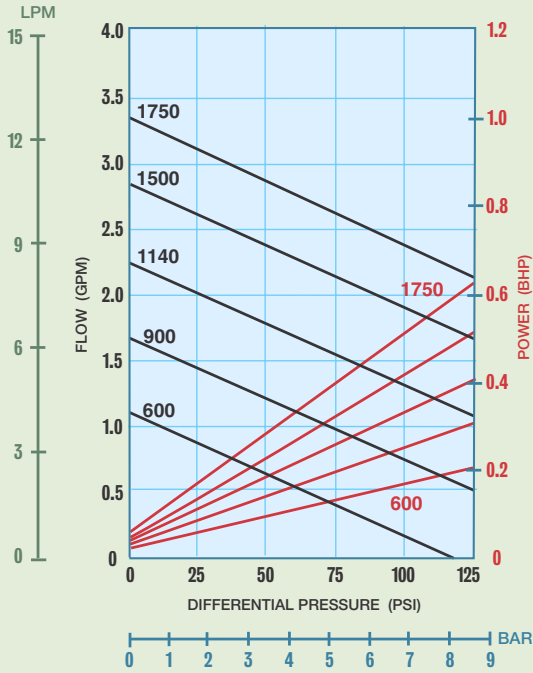


Sealed

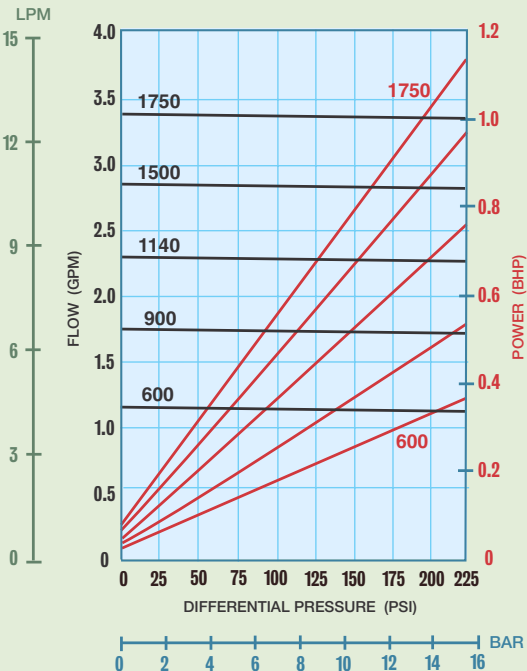
Close Coupled:
Sealed or Mag-Drive

PERFORMANCE CURVES

1 CPS Fluid (Water)



100 CPS Fluid (Oil)

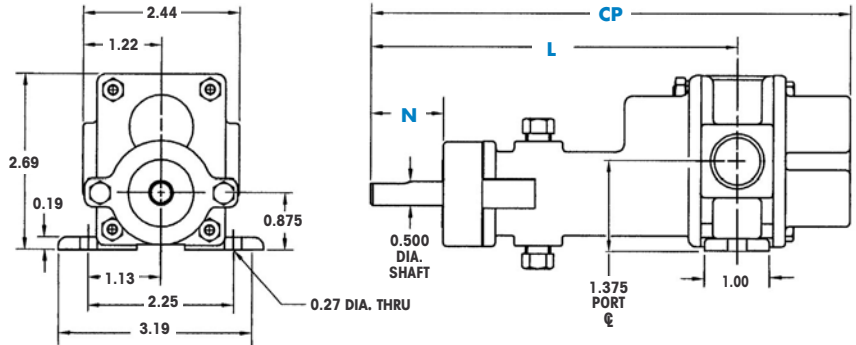


PORT SIZE	1/2" NPT/BSPT/FLG
MAX FLOW	3.4 GPM; 13 LPM
MAX DIFFERENTIAL PRESSURE	225 PSI; 15.5 BAR
MAX DISCHARGE PRESSURE	300 PSI; 20.7 BAR
MAX TEMPERATURE	500°F; 260°C
MIN TEMPERATURE	-40°F; -40°C
MAX VISCOSITY	100,000* CPS
NPSHR @ 1750 RPM	2 FT; 0.6 M
LIFT (DRY)	4 FT; 1.2 M
WEIGHT (without motor)	
SEALED MAG-DRIVE	3.5 LBS; 1.6 KGS 32 LBS; 15 KGS

* Higher viscosities possible. Contact factory.

Dimensional Data (inches)

Long-Coupled: H5F Sealed



DIMENSION	SEAL CONFIGURATIONS	
	PACKING	DOUBLE MECHANICAL SEAL
CP⁽¹⁾	7.44	7.44
N	0.80⁽²⁾	0.80⁽²⁾
L	5.67	5.67

NOTES: (1) Add .312 inches for Bearing Flush Plug.
(2) Minimum dimension.

Dimensional Data (inches)

Close-Coupled: H5F-MC & H5F Sealed

