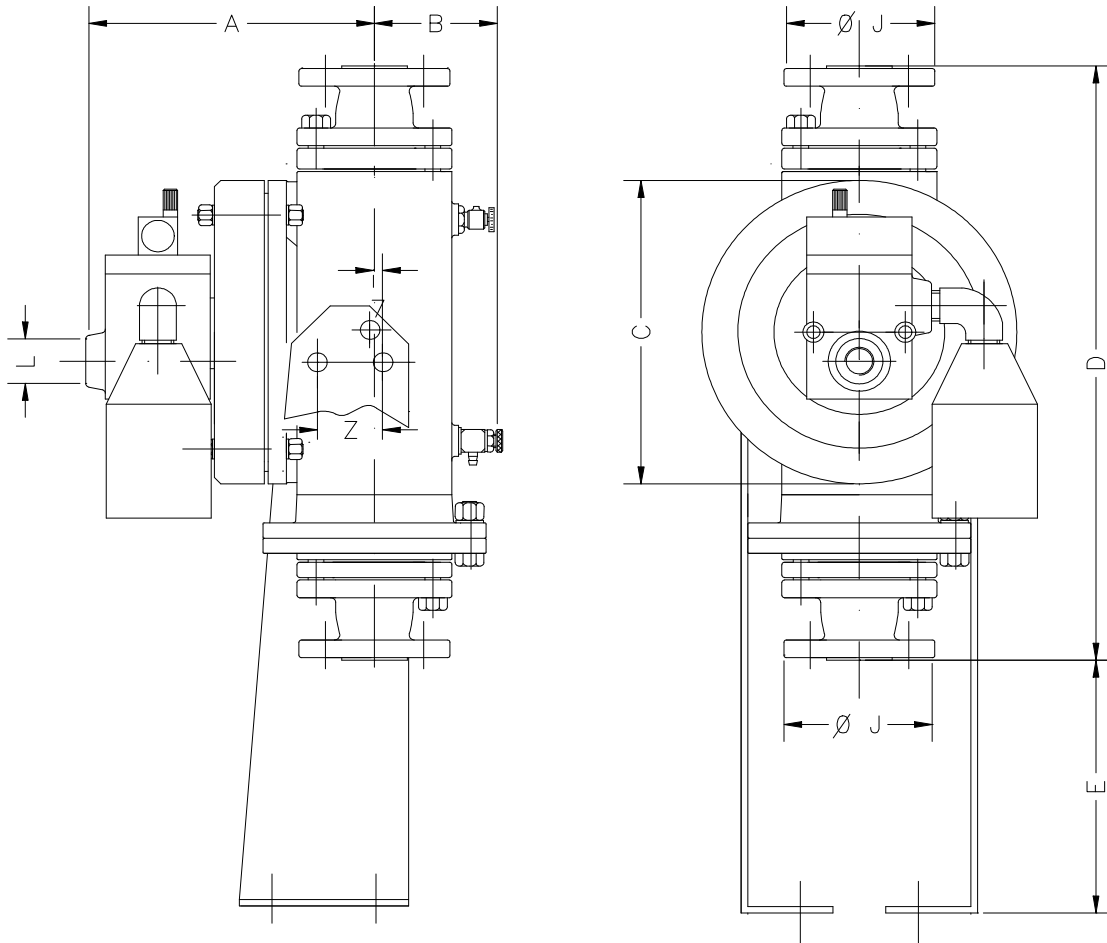


ATTACHED II

AIR-OPERATED TUBULAR DIAPHRAGM PUMP

RP 20 PTFE

DIMENSIONAL DRAWING
No. 0202/DT



SCALA 1 : 5

A	B	C	D	E	ØJ	ØL	R	S	ØT	V	W	X	Y	Z
220	92	240	470	200	108 (ANSI) 115 (UNI)	1/2" GAS	130	70	17	125	212	25	80	50

CODIP - BUSTO ARSIZIO TECHNICAL DEPT. TEL. 0331 679186	Date 01/09/2003	Appr.
	Date rel.	Appr.
Dwg. 0202/DT Rev. 2	Date rel.	Appr.
	Date rel.	Appr.