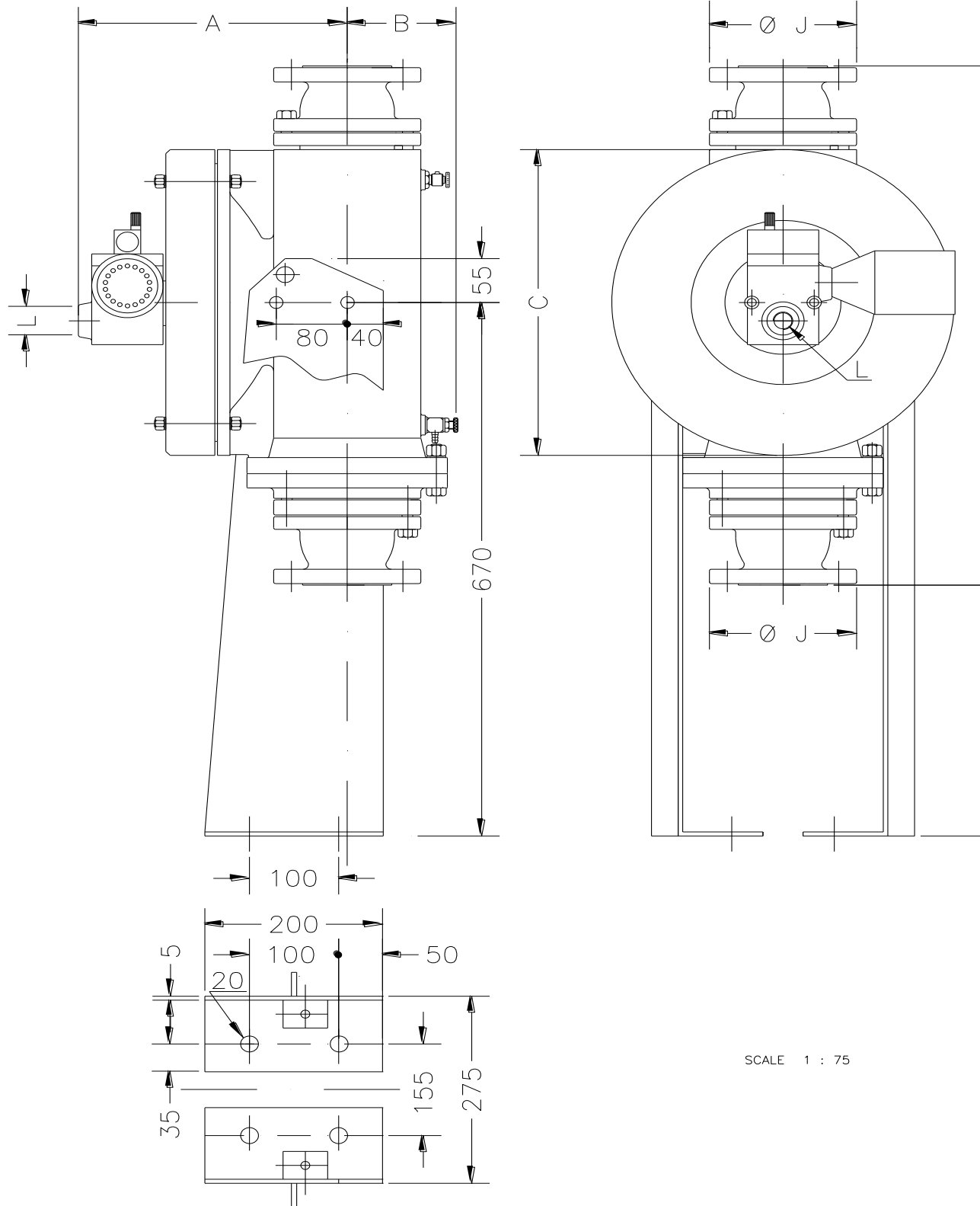


**CODIP**

P.T.F.E. TUBULAR DIAPHRAGM PUMP  
 TYPE RP-60  
 DIMENSIONAL DATA

DWG. N.

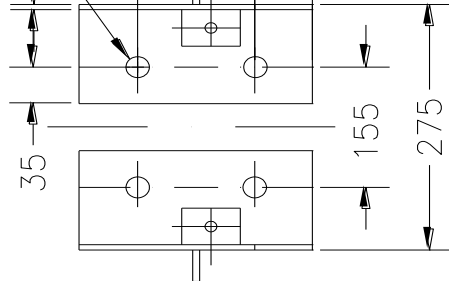
DATE  
 18/02/



SCALE 1 : 75

A	B	C	D	E	Ø J	Ø L	R	S	Ø T	V	W	X
---	---	---	---	---	-----	-----	---	---	-----	---	---	---

SCALE 1 : 75



A	B	C	D	E	Ø J	Ø L	R	S	Ø T	V	W	X
305	120	385	650	315	165	1/2" GAS	200	95	20	145	275	50

0602

**CODIP**

21050 BUSTO ARSIZIO (ITALY) - P.O.B. 122 - VIALE CADORNA 8  
TELEPHONE (0331) 679.186 - TELEFAX : 678.341

GM PUMP

DWG. N.

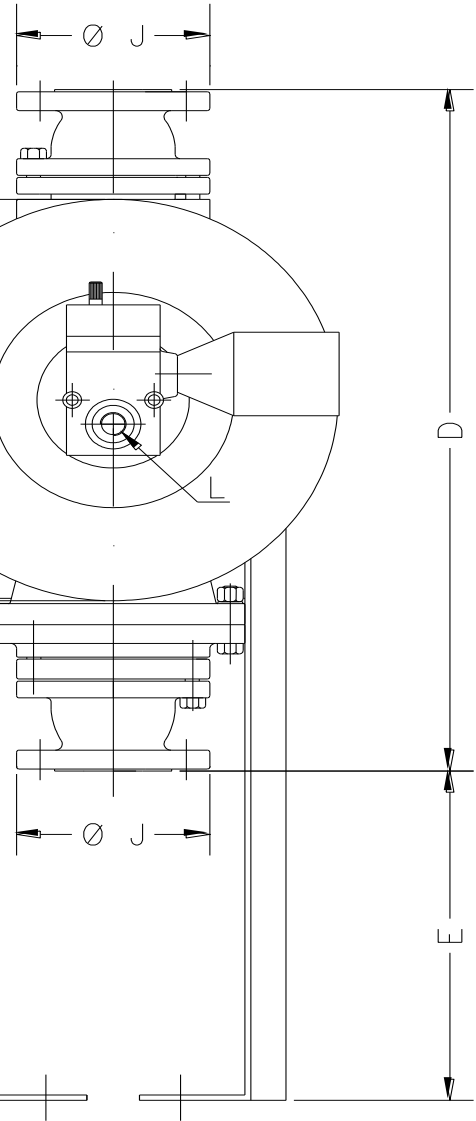
0602

DATE

18/02/03

REV.

0	1	2	3	4
---	---	---	---	---



SCALE 1 : 75

$\varnothing$	T	V	W	X	Y	Z
---------------	---	---	---	---	---	---

SCALE 1 : 75

Ø T	V	W	X	Y	Z
20	145	275	50	100	80

– VIALE CADORNA 8  
: 678.341