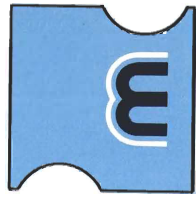


NIKKISO EIKO



NIKKISO **MAGPON**[®]

MAGNET DRIVE CENTRIFUGAL PUMP

Series **CP**

Series **CW**

Series **CH**



NIKKISO MAGPON is a magnet drive sealless pump of good performance which is free from leakage and corrosion.



NIKKISO EIKO CO., LTD.



NIKKISO MAGPON[®]

Magnet Drive Centrifugal Pump

SPECIFICATIONS (50Hz/60Hz)

Model	Port (mm) Suc/Dis	Max. capacity (ℓ/min)	Max. total head (m)	Std. capacity (m-ℓ/min)	Motor type	Motor output (W)	Power supply	Weight (kg) *4)
CP05(CP-05) ☆	φ14/φ14	8/9	1.0/1.4	0.8-2.8/0.8-5	Shaded pole 1 φ	3	1 φ 100V, 110V, 115V, 220~240V	1.0
CP08(CP-08) ☆		11/12	1.5/2.1	1-5/1-8		6		1.0
CP10(CP-1) ☆		14/17	2.4/3.4	1.5-6.5/2.2-8	Capacitor run 1 φ	15		2.0
CP20(CP-2) ☆	φ18/φ18	24/29	2.1/3.0	1.5-10/2.0-14		30	2.4	
CP30(CP-3) ☆		32/38	3.1/4.4	2-18/2.5-22		30	2.4	
CP40(CP-4) ☆		40/48	4.1/5.8	2.5-22/3.6-26		60	3 φ 200V/220V, 380V, 440V,	3.6
CP50		70/80	5/7	4-30/5-40		*1) Drip-proof and TEFC special flange motor, 1 φ/3 φ	200	9.9(2.0)
CP60	*3) 40A/40A flange	90/110	8/11.5	6.5-40/8.5-50	*2) TEFC, IEC B5 flange motor, 3 φ	200	10 (2.1)	
CP70		210/210	10/10	8-100/8-100		400	23 (14)	
CP80		250/250	17/17	13-125/13-125		750	31 (15)	
CW05(2CP-05) ☆	φ14/φ14	8/9	1.0/1.4	0.8-2.8/0.8-5	Shaded pole 1 φ	6	1.5	
CH08		7/8	2.1/2.8	1.5-3.5/2-4		6		1.0
CW10 ☆		14/17	2.4/3.4	1.5-6.5/2.2-8	Capacitor run 1 φ	30		2.4

*1) Without motor on request.

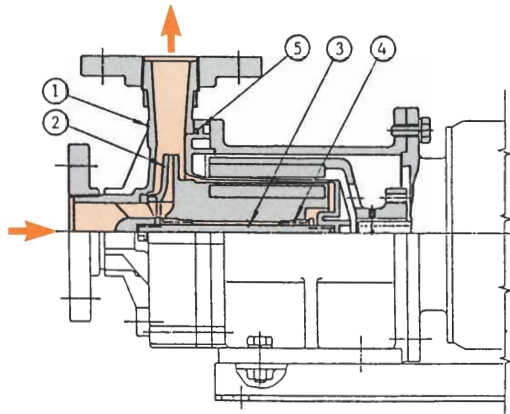
*2) Without motor on request.

*3) JIS 10kg/cm² 40A, DIN 2565 NW40, ANSI Class 150 1½.

*4) () is for without motor for CP50~80.

☆ UL Recognized component on request.

CONSTRUCTION



(CP70 & 80 for a typical one)

No.	Parts name	Std. material	Option *
①	Casing	PP (20% glass)	PVDF, Noryl
②	Impeller	PP (20% glass)	PVDF, Noryl
③	Shaft	Al ₂ O ₃ ceramics	SiC ceramics
④	Bearing **	Rulon	
⑤	O ring	FPM (Viton)	EPDM

* Contact NIKKISO EIKO or Distributor

** No bearing for 05 and 08 models.

APPLICATIONS

- * Circulation, agitation and transferring of corrosive chemicals.
- * Automatic photo developing machine, X-ray film processors.
- * Ion analyzer, Gas analyzer, Constant temperature bath.
- * Artificial kidney equipment and other Medical machines.
- * Automatic venders, Ice making machine, Unit cooler and other Food machinery.
- * Surface treatment such as Plating equipment, Filtering apparatus, Dyeing equipment etc.
- * Water & Waste water treatment.
- * Laboratory & Pilot plant.
- * Solar heating system.

SPECIAL FEATURES

* CP50~80

Standard model of CP50~80 is equipped with flange motor, but also available to supply pump and bracket only on request in order to adapt customers' flange motor.

* CW05, CW10

This pump is a dual pump head type, small pump heads are compactly mounted on both sides of motor.

This design will be optionally available for other model depending on order lot size.

* CH08

Noryl made, high head and high temperature type.

Noryl material is optionally available for other small size model depending on order lot size.

OPERATING CONDITIONS

- * Specific gravity : below 1.3
- * Viscosity : below 30cP
- * Temperature : 0~80°C (PVDF, Noryl : 0~90°C)
- * Followings can not be used
 - Liquids containing Iron or Nickel powder, etc.
 - Liquids containing slurry
 - Liquids which may corrode liquid end materials.

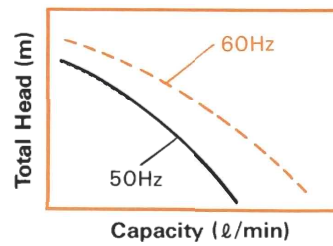
} Allowance depends on pump size, contact NIKKISO EIKO or Distributor.

MODEL CODE

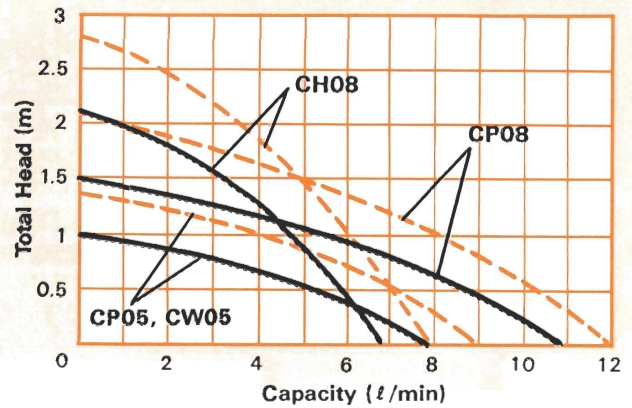
CP	40	—	PP	RV	—	24	SP
①	②		③	④		⑤	⑥

①	Pump series	CP: standard CW: double head CH: high head
②	Pump size	05, 08, 10, 20, 30, 40, 50, 60, 70, 80
③	Material (Pump & Shaft)	PP: Polypropylene + A I_2O_3 shaft PO: Noryl (Poly phenyleneoxide) + A I_2O_3 shaft P2: PVDF (Poly fluorovinylidene) + SiC shaft 2S: PVDF (Poly fluorovinylidene) + A I_2O_3 shaft
④	Material (O ring)	RV: FPM (Viton) RE: EPDM
⑤	Voltage	10: 100V, 11: 110V, 12: 115V, 20: 200/220V 24: 220-240V, 38: 380V, 44: 440V 00: W/o motor
⑥	Special function	SP: with special specification
	Motor type for CP50~CP80	SA: 1 ϕ , Drip-proof motor (CP50, CP60) TA: 3 ϕ , Drip-proof motor (CP50, CP60) TB: 3 ϕ , Totally enclosed motor TC: 3 ϕ , Outdoor type motor TD: 3 ϕ , Increased safety explosion-proof motor (CP70, CP80) TE: 3 ϕ , Flame-proof motor
	Model for CP05~CP40 CW05, CW10	UL: UL Recognized Component ⑤ Voltage 12: 100-115V 24: 220-240V

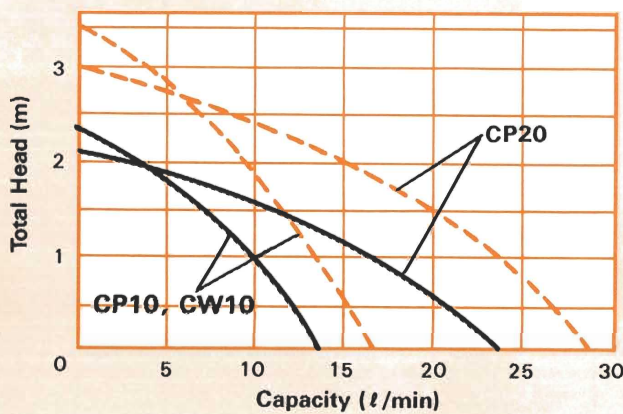
PERFORMANCE



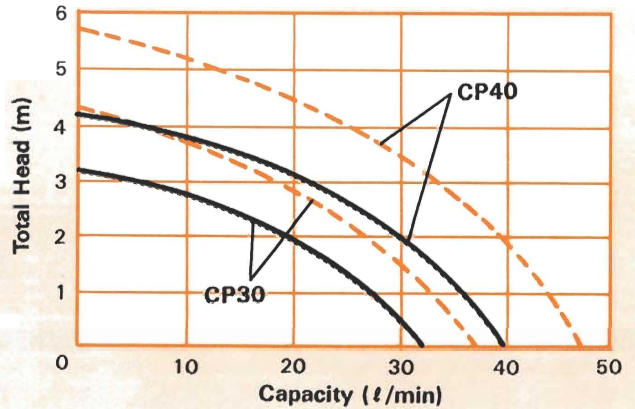
● CP05, CW05, CP08, CH08



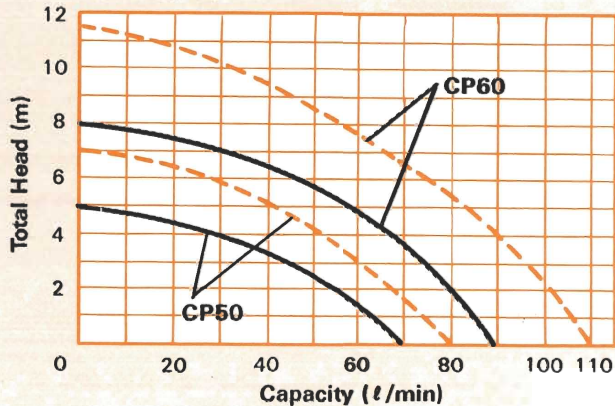
● CP10, CW10, CP20



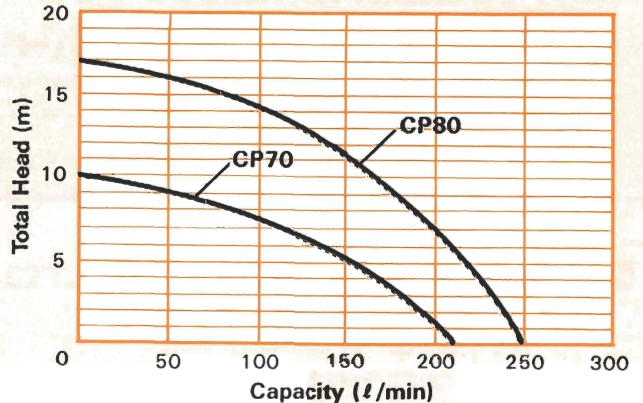
● CP30, 40



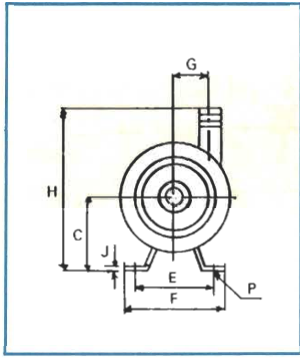
● CP50, 60



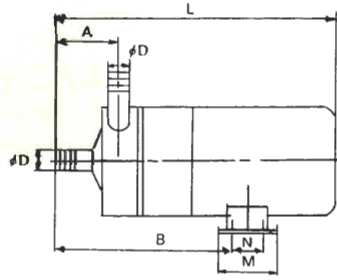
● CP70, 80 (No difference between 50Hz and 60Hz)



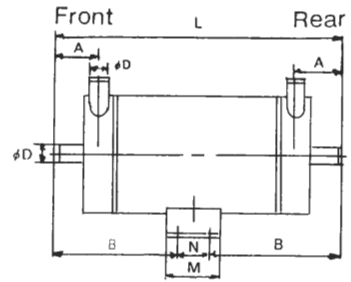
DIMENSIONS



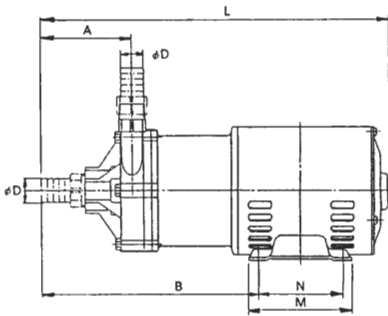
CP05~CP40, CH08



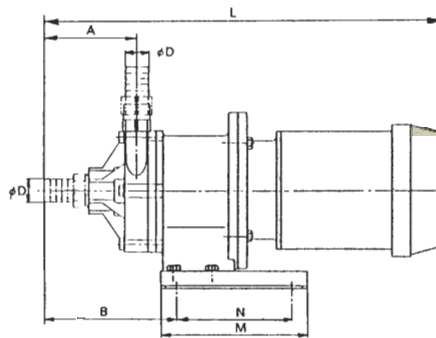
CW05, CW10



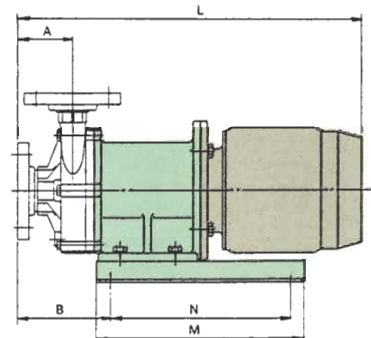
CP50, 60 (SA* TA*)



CP50, 60 (TB* TC, TE)



CP70, 80 (TB* TC, TD, TE)



* Mark Standard motor

Model	Key	A	B	C	φD	E	F	G	H	J	L**	M	N	P
CP05,08		26.5	72	45	14	60	75	17	90	1.6	112	30	0	2-φ6
CP10		35	117	55	14	70	85	24	115	2.3	206	50	30	4-φ5.5
CP20		40	159	55	18	70	85	28	120	2.3	269	50	30	4-φ5.5
CP30		40	159	55	18	70	85	28	120	2.3	269	50	30	4-φ5.5
CP40		45	155.5	60	20	100	120	33	130	3.2	269	60	40	4-7×11
CP50	SA, TA	93	235	71	25	112	148	49	198	2.6	<374> 359	110	90	4-7×25
CP60	TB	93	135	100	25	120	150	49	227	3.2	407	150	118	4-9.5×24
CP70	TB	76	128	132	*	210	240	73	270	4.5	486	300	260	4-φ12
CP80	TB	76	128	132	*	210	240	73	270	4.5	496	300	260	4-φ12
CW05		26.5	78.5	45	14	85	95	17	90	1.6	187	50	30	4-φ6
CH08		26.5	72	45	14	60	75	19.5	90	1.6	112	30	0	2-φ6
CW10		35	116.5	55	14	70	85	24	115	2.3	263	50	30	4-φ5.5

Remark: < > 1φ motor

* Flange, JIS 10kg/cm² 40A, DIN 2565 NW40, ANSI Class 150 1½

** L for CP50-80 will be changed with motor specification or motor manufacturer, contact NIKKISO EIKO.

Subject to change without prior notice

NIKKISO EIKO CO., LTD.

7Fl, Kyoei-Seimei Ikebukuro Bldg.
24-3, Higashi-Ikebukuro 4-chome, Toshima-ku,
Tokyo 170-0013, JAPAN
Phone: 81-3-5954-0711
Fax : 81-3-5954-0716