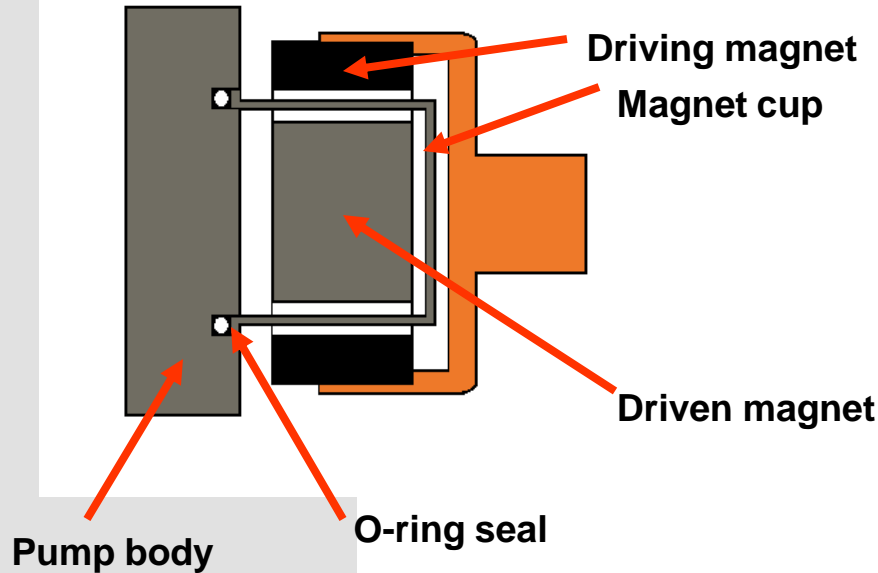
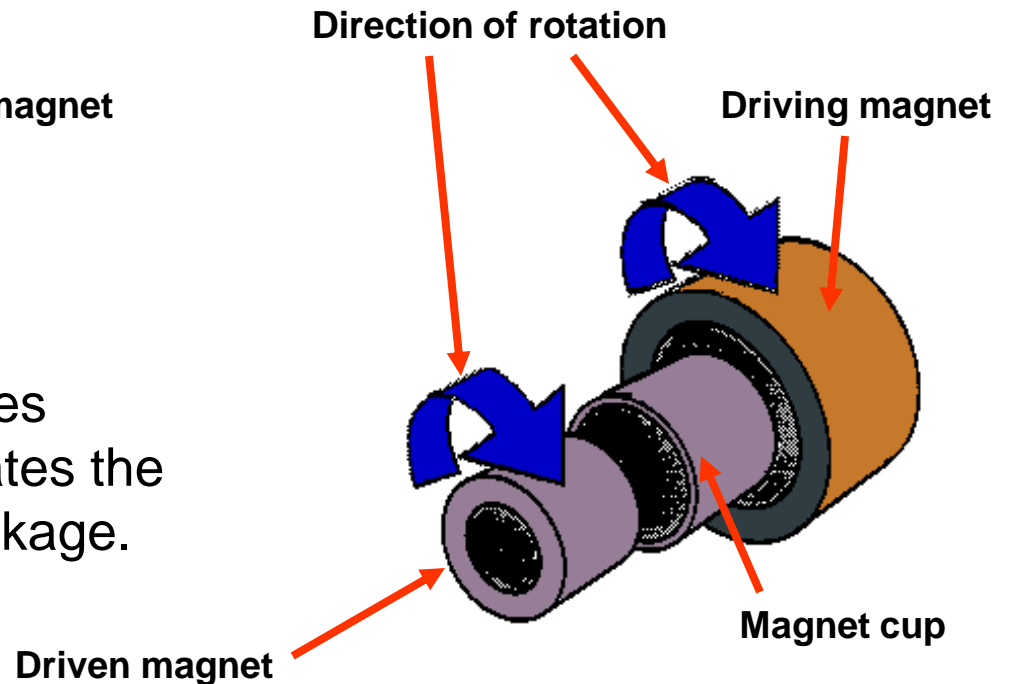


How a magnet drive works



•Using a static seal greatly reduces maintenance and virtually eliminates the possibility of contamination or leakage.

•Magnetically coupled pumps utilise a static seal that is not subject to wear from moving parts.



Magnet Drive

