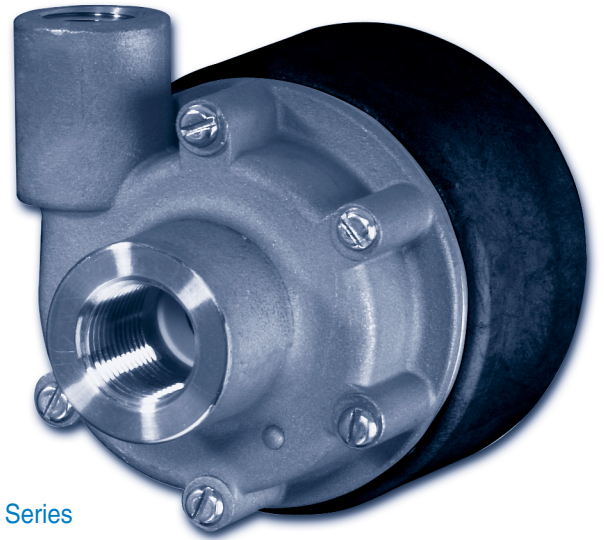


Magnetic Drive Centrifugal Pump

SERIES 101

Series 101 For high flow

applications requiring design simplicity, Micropump offers its reliable Series 101 Magnetic Drive Centrifugal Pump. The Series 101 utilizes Micropump's unique leak-free magnetic drive technology, providing excellent chemical resistance, energy-efficient fluid delivery and wide motor capability. For easy maintenance, the Series 101 also features an integrated impeller/magnet assembly to reduce the number of rotating parts and maximize pump life.



Small Size

The miniature package size of the Series 101 delivers flow rates up to 27 L/min (7.1 gpm), offers total dynamic head of up to 14 meters (46 feet) at closed valve condition and handles a maximum system pressure of up to 13.6 bar (197 psi).

Simple Construction

For long life and easy service, the Series 101 uses a minimal number of moving parts. Its impeller/magnet assembly integrates rotating parts into one element, which reduces alignment problems as well as failure and wear rates.

Superior Chemical Resistance

Impellers and wetted parts are made of PTFE, 316 stainless steel and Hastelloy® C, which provide excellent chemical compatibility and insure maximum service life under the most demanding conditions.

Energy Efficient Delivery

Series 101 pump housing is investment cast in 316 stainless steel, which assures smooth flow with maximum corrosion resistance, and has a volute-type casing. The volute passageway is proportioned so fluid maintains its velocity head with minimal energy loss and low required input power.

Wide Motor Capability

Series 101 is adaptable to DC, AC and Integral Series® drives. The Micropump Integral Series combines pumphead, controller and brushless DC drive into one compact unit with no moving parts for maximum efficiency.

System Compatibility

Series 101 is designed to fit into a wide range of system configurations, such as closed-loop cooling systems and open-end fluid transfer systems.

Enhanced Efficiency

As part of the IDEX family of companies, Micropump utilizes Kaizen, Lean Manufacturing and Six Sigma process improvement strategies to continually meet the challenge of improving quality while increasing productivity—all of which help Micropump better meet the pumping needs of customers in an increasingly diverse range of markets.

Proven Reliability

Over 40 years of experience solving the most difficult pumping problems go into the design and manufacture of every Micropump pump, ensuring the most reliable pumping solution available.



SERIES 101

Magnetic Drive Centrifugal Pump

CA

Performance Summary

Flow Rate at 9000 rpm	
27 L/min	7.1 gpm
Maximum Head	
14 meters	46 ft
Maximum System Pressure	
13.6 bar	197 psi
Temperature Range	
-46 to 80° C	-50 to 176° F
Viscosity Range	
Up to 100 cps	
Suction Capabilities	
Consult Distributor	

Pump Construction

- Magnetic drive centrifugal pump

Wetted Materials

- Impeller material
 - 316 stainless steel
 - Hastelloy® C
- Pump housing material
 - 316 stainless steel
 - Hastelloy C
- Magnet encapsulation
 - 316 stainless steel
 - PTFE
- Static seals
 - PTFE
 - Viton®
- Thrust plate
 - PTFE

Drive Options

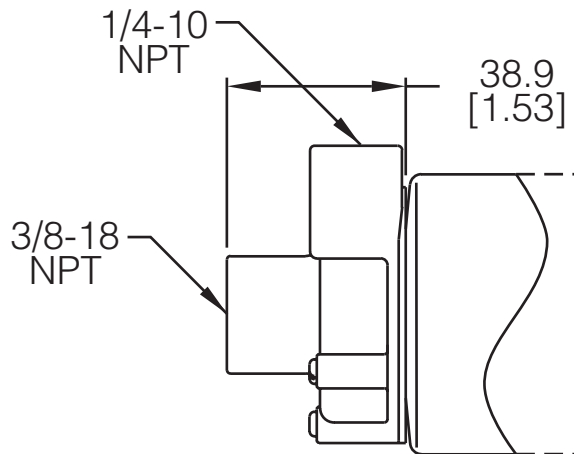
- AC
- DC
- Air Motor

Magnets

- Rare earth magnet encapsulated in
 - Alloy B
 - Alloy 20
 - Titanium
 - ICONEL™
 - PTFE
 - PPS

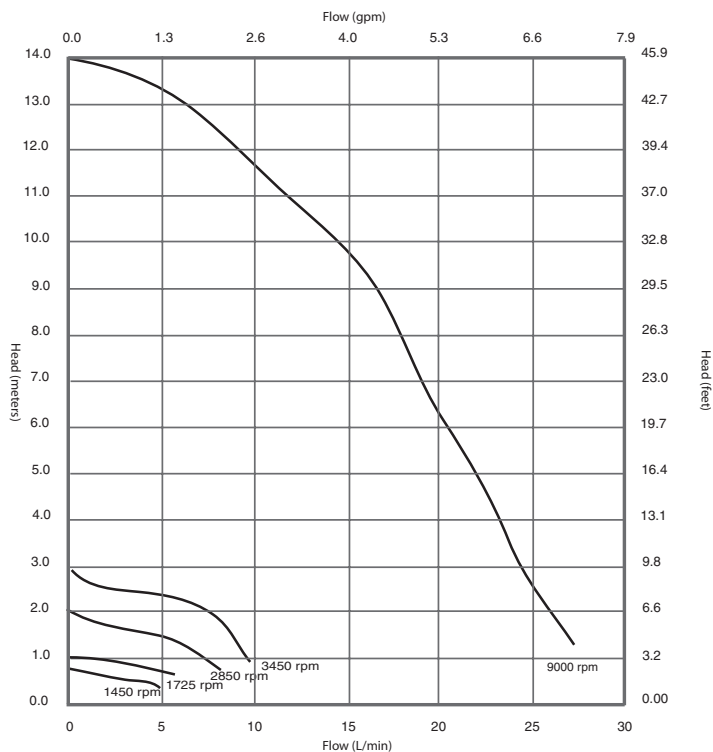
Dimensions

"A" Mount

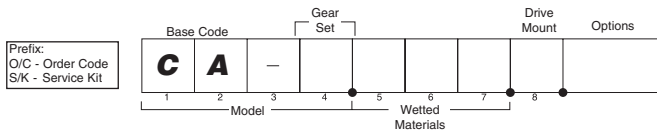


Units: mm[in]. Nominal dimensions shown.

Pump Performance



Order Code



ACTUAL PERFORMANCE MAY VARY

Specifications are subject to change without notice.

©2003 Micropump, Inc., A Unit of IDEX Corporation. Micropump and the Micropump logo are registered trademarks of Micropump, Inc. All other trademarks belong to their respective owners.

MPV-04/2003

MICROPUMP, INC.

A Unit of IDEX Corporation
 Phone: (360) 253-2008 • (800) 671-6269
 Fax: (360) 253-8294 • (800) 222-9565

MICROPUMP LIMITED

A Subsidiary of Micropump, Inc.
 Phone: + 44 (0) 1480 356900
 Fax: + 44 (0) 1480 356920

info.micropump@idexcorp.com
 www.micropump.com

