



INNOVATION. QUALITY. SERVICE.

VIKING

GEROTOR

S E R I E S

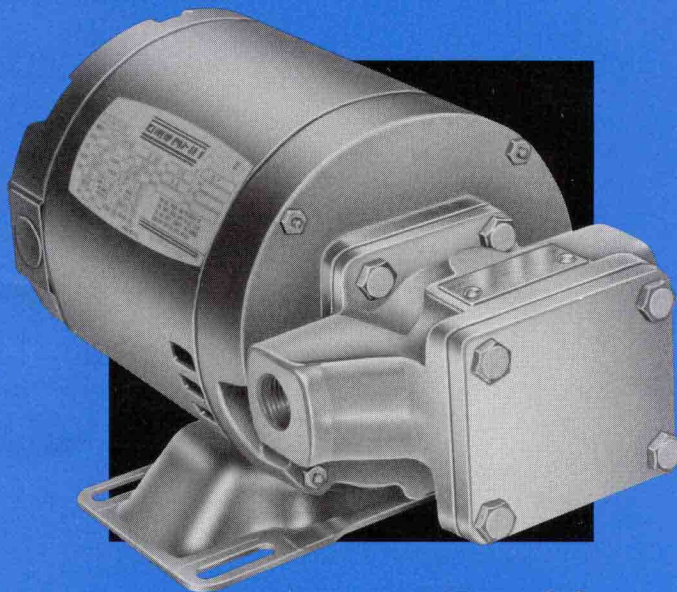
Viking presents its "G" series pumps utilizing gerotor elements.

Because of their efficiency and simplicity, gerotor pumps are easily adapted to a wide variety of pumping applications with fluids having natural lubricity. They also offer a cost-efficient opportunity for the designing of special pump configurations for OEM uses.

What is a gerotor? It is a simple positive displacement pumping unit consisting of an outer ring gear driven by an inner star gear.

Gerotor elements are available in many generic configurations as well as materials and sizes, but they all include one basic design principle...the inner driving element has one less tooth than the outer driven element. This allows the filling and discharging of fluid between the teeth during the rotation of the gears.

Gerotor pumps normally provide lower noise levels in comparison to other pump designs.



Viking Model GR-0955-G00
Close Coupled to a
Split Phase Electric Motor

Quality materials and precision manufacturing are used in every pump. Standard materials are cast iron housing and cover, powdered metal gear elements, high-strength steel shaft, and optional elastomer lip seal and O-Ring.

Viking offers direct, bracket, and base mounted drive options that minimize onsite installation costs and provide maximum utilization of available space.

Viking solves problems — whether they are application and/or configuration. We offer the opportunity to create products which meet your specific needs. The Viking team, working with you, the customer, applies their knowledge, experience, and creative abilities to produce a product design for your particular application.

Viking maintains a fully equipped engineering laboratory and machine shop permitting quick production of specialized parts for prototypes.

Your problem is our challenge...Viking offers better solutions for fluid handling.

VIKING GEROTOR SERIES

PUMP SPECIFICATIONS

① Model Number	② Port Size (NPT) Inches	Nominal Capacity At 1750 RPM (150 SSU)		③ Maximum Operating Conditions								⑤ Motor Selection				
				④ Pressure				Temperature				Speed RPM	1750 RPM			
				38 SSU		150 SSU		Buna-N		Viton*			50 PSI (3.5 BAR)		100 PSI (7 BAR)	
				PSI	BAR	PSI	BAR	°F	°C	°F	°C		HP	KW	HP	KW
GR-0941	1/2	3.7	14.0	50	3.5	100	7.0	225	107	450	232	1750	1/4	0.2	1/2	0.4
GR-0955	1/2	4.8	18.2	50	3.5	100	7.0	225	107	450	232	1750	1/3	0.4	3/4	0.75

① Approximate pump weight 5.9 lbs. (2.7 Kg.).

② 3/4" NPT ports available.

③ Consult factory on applications exceeding maximum operating conditions.

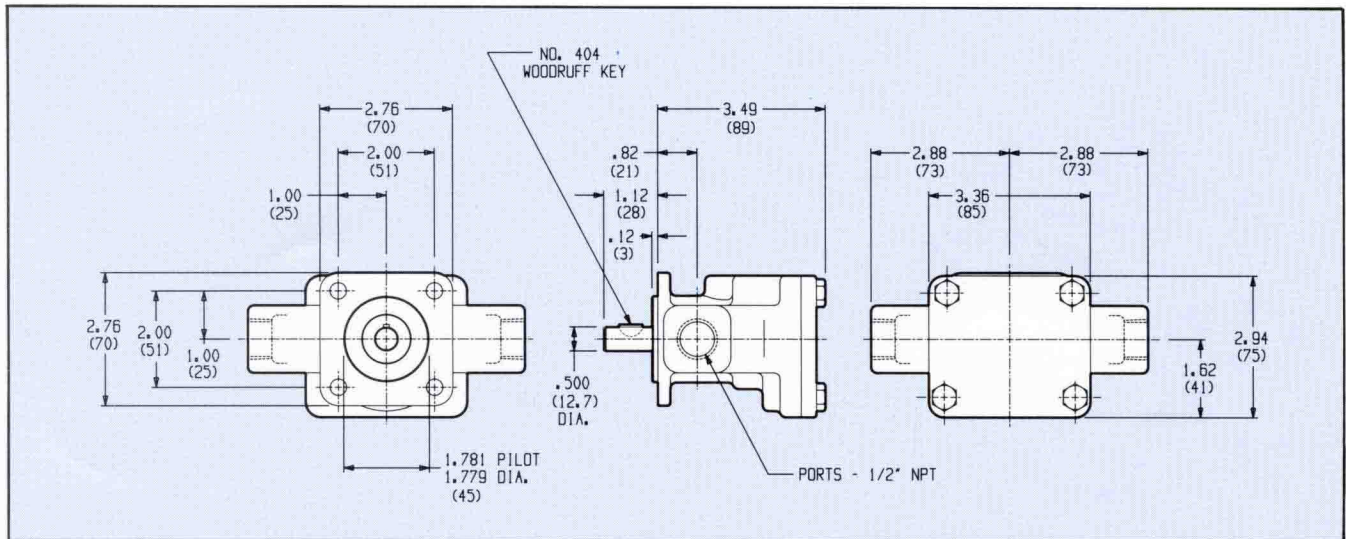
NOTE: Data shown in gray areas are metric, others are standard U.S. measure.

④ 1 BAR = 0.1 MPa = 100 kPa = 10⁵ Pa.

⑤ Motor selection based on 150 SSU (30 CPS) and 15" Hg (381 mm Hg) suction.

Viton* — Registered trademark of the E.I. DuPont Company.

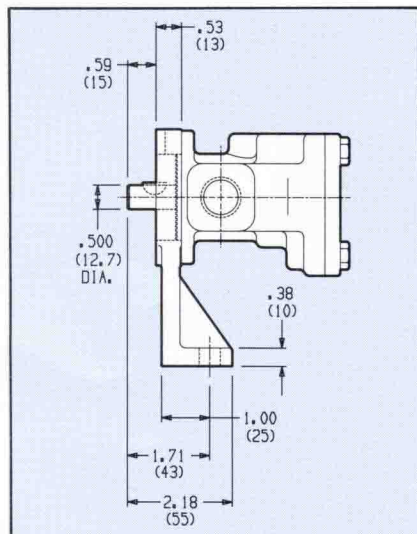
PUMP DIMENSIONS — STANDARD SHAFT



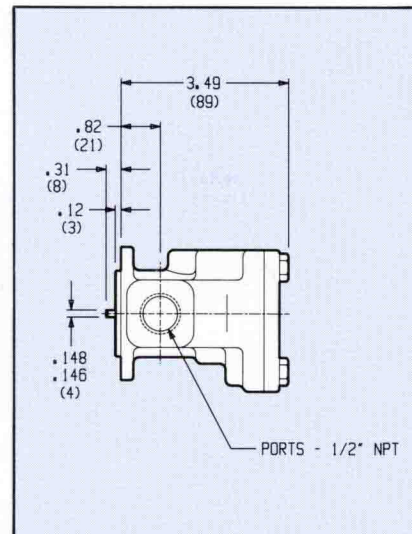
These dimensions are average and not for construction purposes; certified prints on request.

NOTE: Dimensions shown in parentheses are millimeters; others are inches.

PUMP DIMENSIONS — FOOT BRACKET MOUNT OPTION



TANG SHAFT OPTION FOR CLOSE COUPLING TO MOTOR



These dimensions are average and not for construction purposes; certified prints on request.

NOTE: Dimensions shown in parentheses are millimeters; others are inches.

VIKING PUMP

VIKING PUMP, INC.
A Unit of IDEX Corporation
Cedar Falls, Iowa 50613 U.S.A.
Phone: (319) 266-1741
Fax: (319) 273-8157

IDEX CORPORATION