

39R SEALED 39R-MC MAG-DRIVE



**3 - SERIES
ROTOGEAR®
GEAR PUMP**

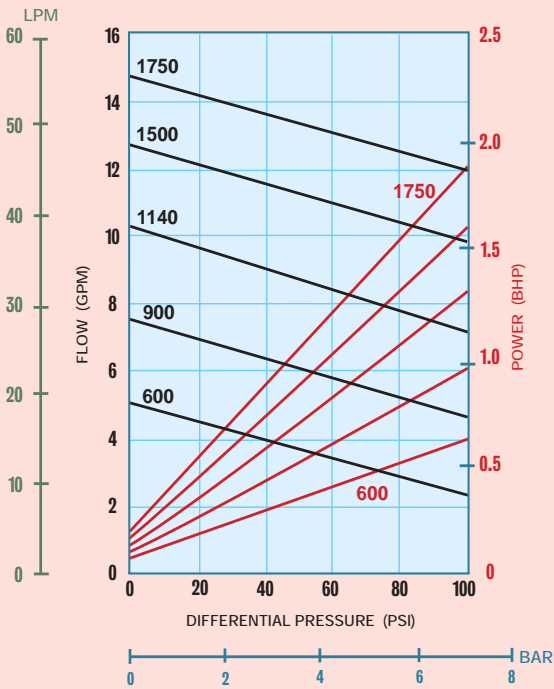


Sealed

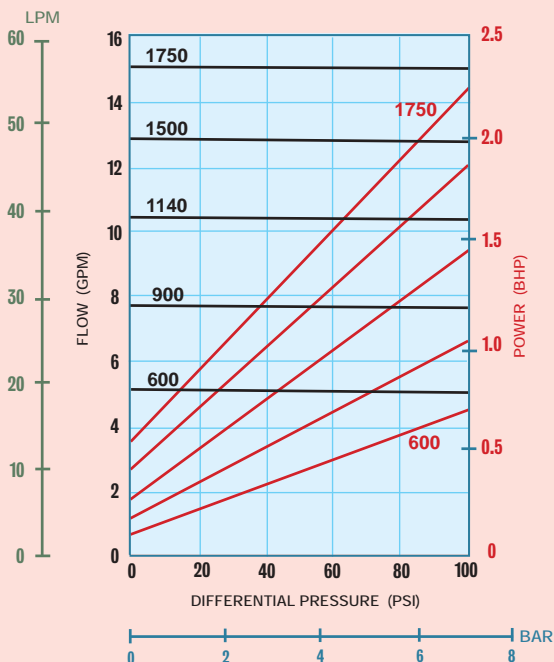
Close Coupled:
Sealed or Mag-Drive

PERFORMANCE CURVES

1 CPS Fluid (Water)



100 CPS Fluid (Oil)

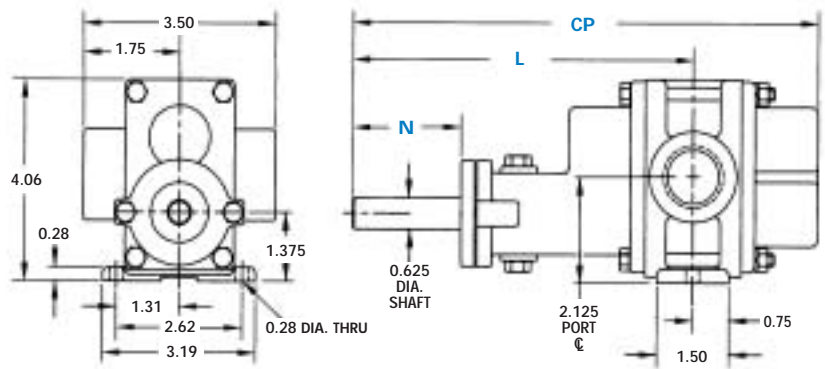


PORT SIZE	1" NPT/BSPT/FLG
MAX FLOW	15 GPM; 57 LPM
MAX DIFFERENTIAL PRESSURE	100 PSI; 7 BAR
MAX DISCHARGE PRESSURE	225 PSI; 15.5 BAR
MAX TEMPERATURE	500°F; 260°C
MIN TEMPERATURE	-40°F; -40°C
MAX VISCOSITY	100,000* CPS
NPSHR @ 1750 RPM	4 FT; 1.2 M
LIFT (DRY)	6 FT; 1.8 M
WEIGHT (without motor)	
SEALED	8 LBS; 3.6 KGS
MAG-DRIVE	38 LBS; 17 KGS

* Higher viscosities possible. Contact factory.

Dimensional Data (inches)

Long-Coupled: 39R Sealed

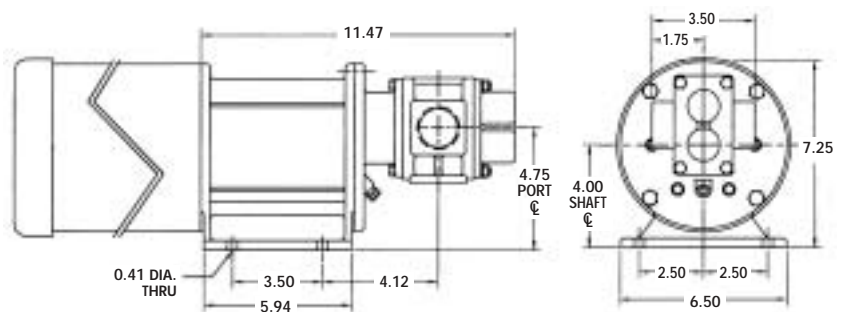


DIMENSION	SEAL CONFIGURATIONS		
	PACKING SINGLE MECHANICAL SEAL DOUBLE MECHANICAL SEAL	EXTERNAL MECHANICAL SEAL	LIP SEAL
CP(1)	9.69	9.69	9.69
N	1.68 (2)	1.44	1.68
L	7.09	7.09	7.09

NOTES: (1) Add .312 inches for Bearing Flush Plug.
(2) Minimum dimension.

Dimensional Data (inches)

Close-Coupled: 39R-MC & 39R Sealed





OFFICIAL DISTRIBUTORS FOR:

**VIKING
PUMP**

A Unit of IDEX Corporation

Viking Gear Pumps

Liquiflo 

Liquiflo Gear Pumps



FINISH THOMPSON INC.

Finish Thompson Drum & Centrifugal Pumps



Codip Air Operated PTFE Diaphragm Pumps

MICROPUMP

Micropump Gear Pumps

HNP M

HNP Mikrosysteme

HNP Gear Pumps

WANNER
Hydra-Cell
Seal-less Pump Technology

Hydra-Cell High Pressure Diaphragm Pumps



M Pumps, Centrifugal,
Turbine and Vane Pumps

ISMATEC

Ismatec Peristaltic Pumps

 **FLUID** METERING, INC.

Fluid Metering Piston Pumps

