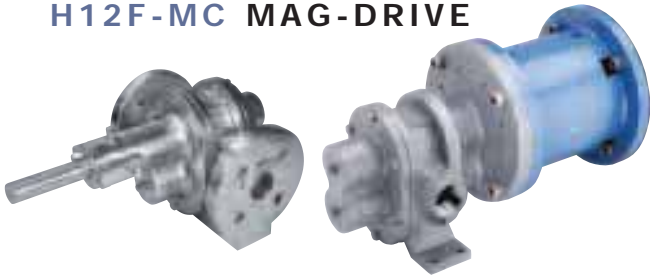


H12F SEALED H12F-MC MAG-DRIVE

Liquiflo™
H-SERIES
GEAR PUMP

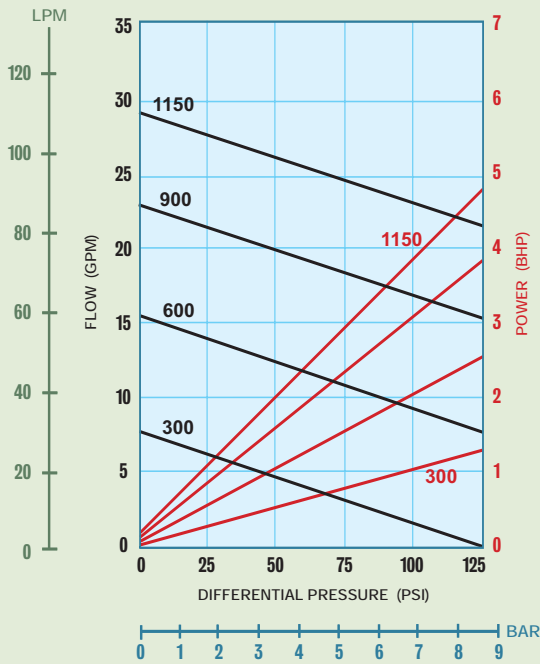


Sealed,
Long-Coupled

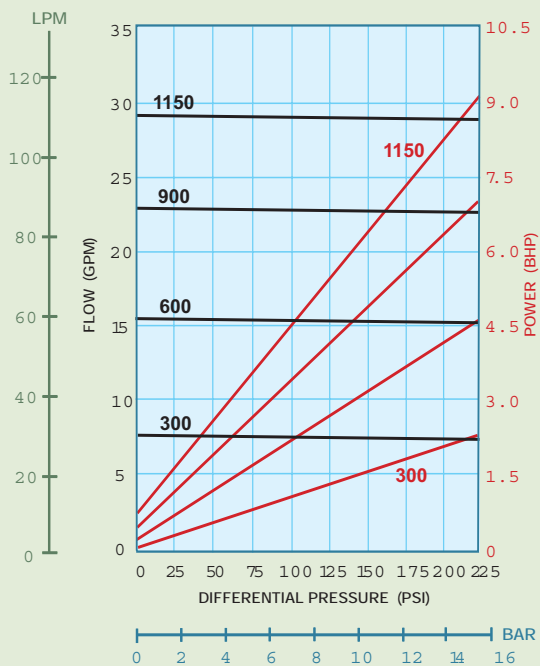
Sealed or Mag-Drive,
Close-Coupled

PERFORMANCE CURVES

1 CPS Fluid (Water)



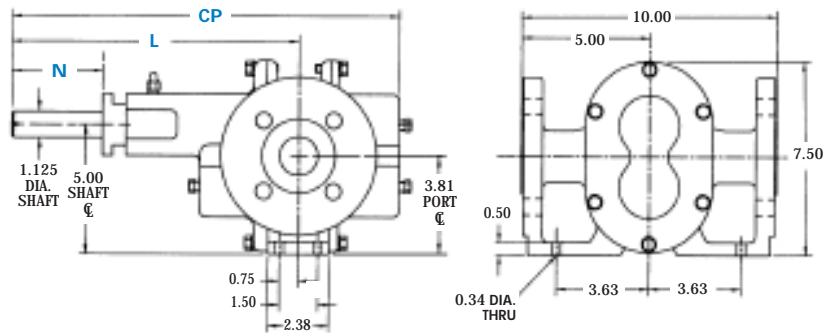
100 CPS Fluid (Oil)



PORT SIZE	1 1/2" FLG or 1 1/4" NPT/BSPT
MAX FLOW	29 GPM; 110 LPM
MAX DIFFERENTIAL PRESSURE	225 PSI; 15.5 BAR
MAX DISCHARGE PRESSURE	270 PSI; 18.6 BAR
MAX TEMPERATURE	500°F; 260°C
MIN TEMPERATURE	-40°F; -40°C
MAX VISCOSITY	100,000* CPS
NPSHR @ 1150 RPM	5 FT; 1.5 M
LIFT (DRY)	17 FT; 5.2 M
WEIGHT (without motor)	
SEALED, Long-Coupled	52 LBS; 24 KGS
SEALED, Close-Coupled	77 LBS; 35 KGS
MAG-DRIVE, Close-Coupled	95 LBS; 43 KGS

* Higher viscosities possible. Contact factory.

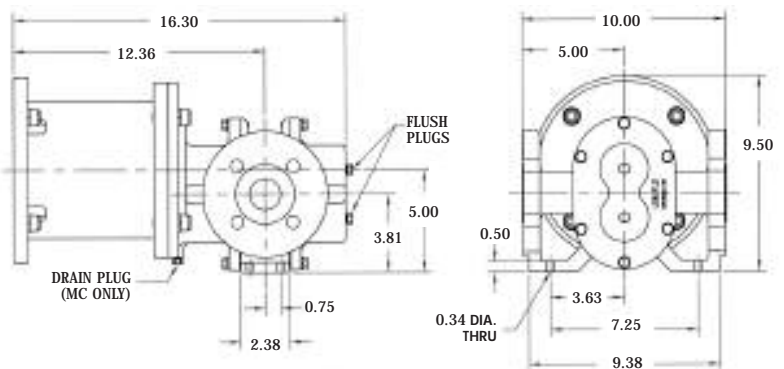
Dimensional Data (inches) H12F Sealed, Long-Coupled



DIMENSION	SEAL CONFIGURATIONS	
	SINGLE & DOUBLE MECHANICAL SEALS	PACKING
CP(1)	13.69	13.69
L	9.75	9.75
N	2.56	2.28 (2)

NOTES: (1) Add .31 inches for Bearing Flush Plugs.
(2) Minimum dimension.

Dimensional Data (inches) H12F-MC & H12F Sealed, Close-Coupled





OFFICIAL DISTRIBUTORS FOR:

**VIKING
PUMP**

A Unit of IDEX Corporation

Viking Gear Pumps

Liquiflo 

Liquiflo Gear Pumps



FINISH THOMPSON INC.

Finish Thompson Drum & Centrifugal Pumps



Codip Air Operated PTFE Diaphragm Pumps

MICROPUMP

Micropump Gear Pumps

HNP M

HNP Mikrosysteme

HNP Gear Pumps

WANNER
Hydra-Cell
Seal-less Pump Technology

Hydra-Cell High Pressure Diaphragm Pumps



M Pumps, Centrifugal,
Turbine and Vane Pumps

ISMATEC

Ismatec Peristaltic Pumps

 **FLUID** METERING, INC.

Fluid Metering Piston Pumps

