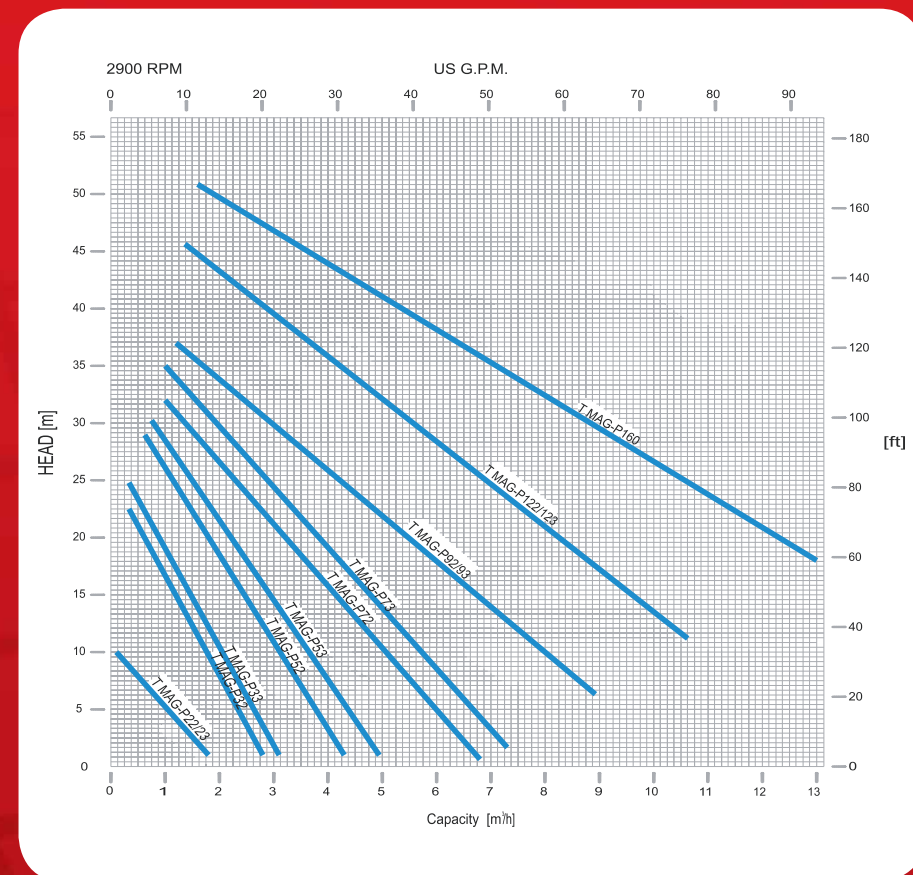


### Pump construction

Close-coupled drivers are conventional drivers mounted directly to pumps frame. No base, coupling or guards are required for this mounting style.

Connections:  
Threaded BSP (GAS) & NPT  
Universal Flanges that meet both DIN PN16 and ANSI 150#.

### Performance curves



### Operating Limits

- Max viscosity: 200 cSt
- Max system pressure: 5 bar
- Flow up: to 13mc/h
- Head up: to 53m
- Temperature ratings: from -22 °F(-30 °C) to +194 °F (+90 °C)
- Electric motors: from 0,18 up to 9,2kW
- Available ATEX II - / 3G cbk II C T5

## HORIZONTAL, SEALLESS PP AND PVDF PERIPHERAL PUMP WITH PERMANENT MAGNET DRIVE SYSTEM, NO MECHANICAL SEAL



# T MAG-P

Manufactured by:



A unit of  
**Mischiatti**  
GROUP

**M PUMPS s.r.l.** - Via dell'Artigianato, 120  
45015 Corbola (Ro) - Italy - [www.mpumps.it](http://www.mpumps.it)  
Tel. +39 0426 346304 - Fax +39 0426 349126

For more information please contact:



### T MAG-P Series

The separation of liquid chamber/atmosphere by means of an isolation shell is the best solution to pump aggressive chemical, high purity liquids and liquids difficult to seal.

The hermetic sealless is the best solution for the chemical and pharmaceutical industry.

A wide range of pumps covers the different performances.

Simple construction combine with high thickness guarantees a long life against the corrosion.



# PUMP DETAILS

Epoxy primer and polyacrylic enamel water-based painting for the best quality resistance linked to the environmental respect.

Pump casing shall be one single piece, achieved from solid bar, made of very high thickness PP and PVDF to have a good mechanical resistance and a guaranteed long life against the corrosion.

**RWP QUICK CHANGE CARTRIDGE KIT** to guarantee an easy and fast maintenance, PP and PVDF materials.

The sealing system with O-Rings prevents from leaking in the atmosphere – different materials available:

- EPDM
- VITON®
- FEP

The rear shell is made of thermoplastic materials, as PP GFR or PVDF CFR with zero magnetic losses. Outside rear shell cover ellipsoidal profile made of fiber reinforced composite material.

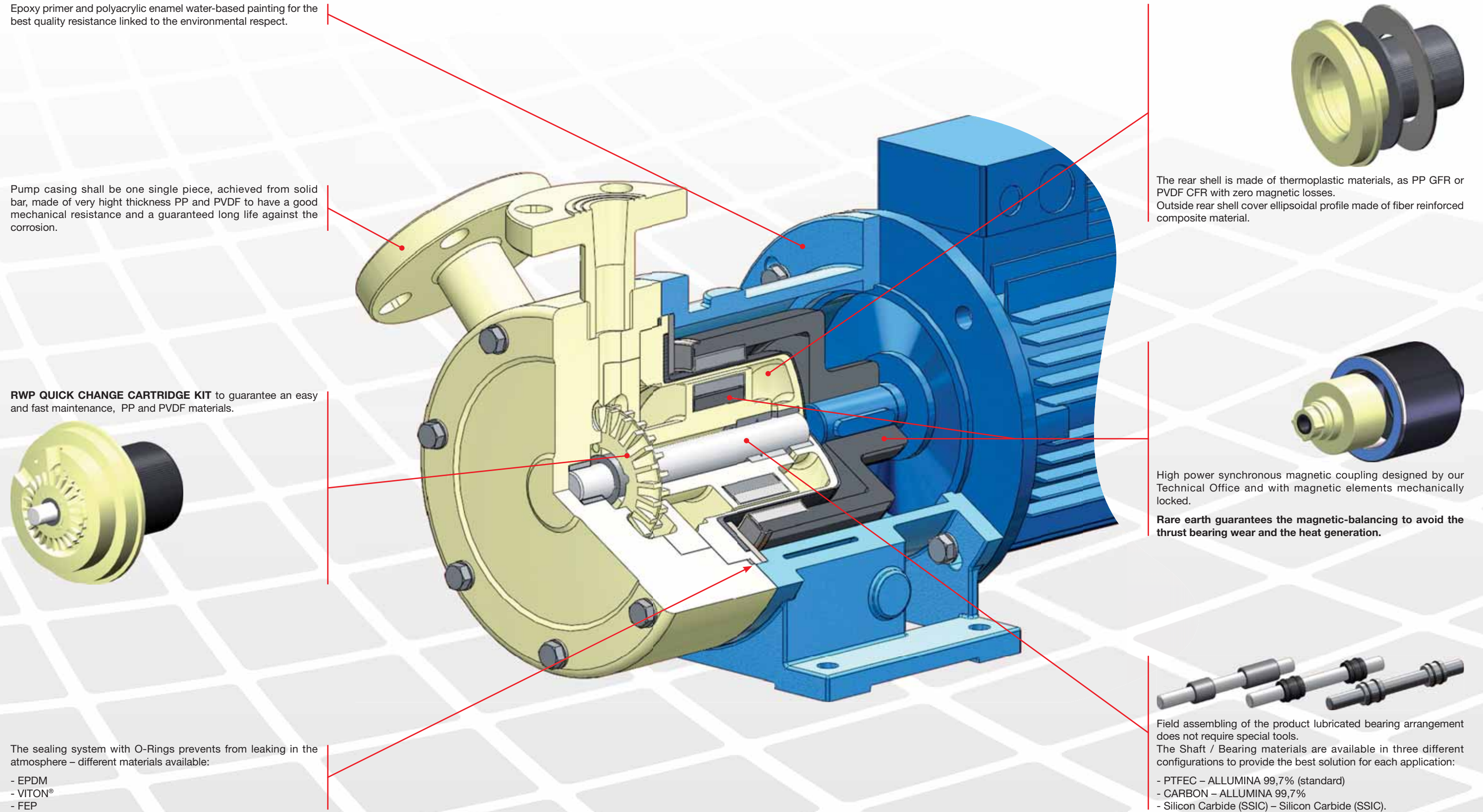
High power synchronous magnetic coupling designed by our Technical Office and with magnetic elements mechanically locked.

**Rare earth** guarantees the magnetic-balancing to avoid the thrust bearing wear and the heat generation.

Field assembling of the product lubricated bearing arrangement does not require special tools.

The Shaft / Bearing materials are available in three different configurations to provide the best solution for each application:

- PTFEC – ALLUMINA 99,7% (standard)
- CARBON – ALLUMINA 99,7%
- Silicon Carbide (SSIC) – Silicon Carbide (SSIC).





**VIKING  
PUMP**

A Unit of IDEX Corporation

Viking Gear Pumps

**Liquiflo** 

Liquiflo Gear Pumps



**FINISH THOMPSON INC.**

Finish Thompson Drum & Centrifugal Pumps

**MICROPUMP**

Micropump Gear Pumps

**OFFICIAL**

**DISTRIBUTORS**

**FOR:**



Codip Air Operated PTFE Diaphragm Pumps

**WANNER**  
*Hydra-Cell*  
Seal-less Pump Technology

Hydra-Cell High Pressure Diaphragm Pumps

**HNP M**  
HNP Mikrosysteme

HNP Gear Pumps

**ISMATEC**

Ismatec Peristaltic Pumps

 **FLUID** METERING, INC.

Fluid Metering Piston Pumps



M Pumps, Centrifugal,  
Turbine and Vane Pumps

