



ARBO SUMPRO BB

for "out of tank" installation

This pump, for 'out of tank' use offers the same advantages as the standard Sumpro series.

Dry run resistant

Although the pump is "dry-mounted" it can be run dry without damage as there is no seal and no bearing in the pump housing. An advantage when handling abrasive or crystallizing liquids.

Space effective

Additional advantages are that it can be used where there is insufficient space inside the tank, and that it can pump over a second circuit by tapping the suction pipe, for example, for pre-coating or flushing operations.

Corrosion resistant

There is no metal to liquid contact; wetted parts of the pump can be **PP** or **PVDF** according to suitability for the intended use. Gaskets of EPDM are standard and optional are Viton or PTFE-encapsulated O-rings.

Motor

Heavy duty, weather proof 3 phase industrial Multi-Voltage motor to IP55.

- 50 Hz, 2950 min⁻¹, 200-415 V
- 60 Hz, 3450 min⁻¹, 200-480 V

Alternative motors for single phase, other voltages and explosion-proof are available.

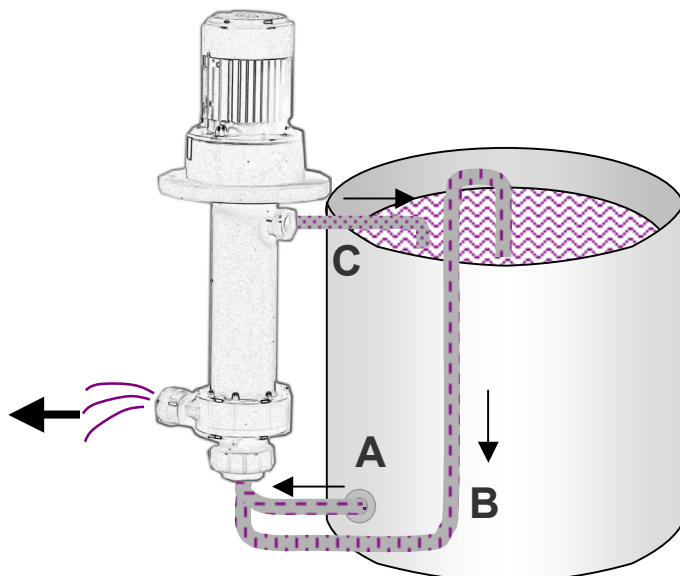
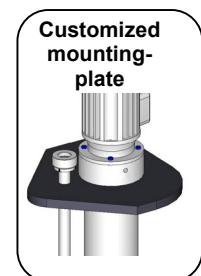
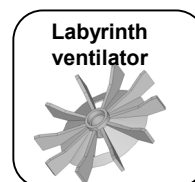
All exterior metal parts are protected by epoxy resin paint.

Maximum Working Temperatures

PP	: 80 °C.
PVDF	: 120 °C.



OPTIONS

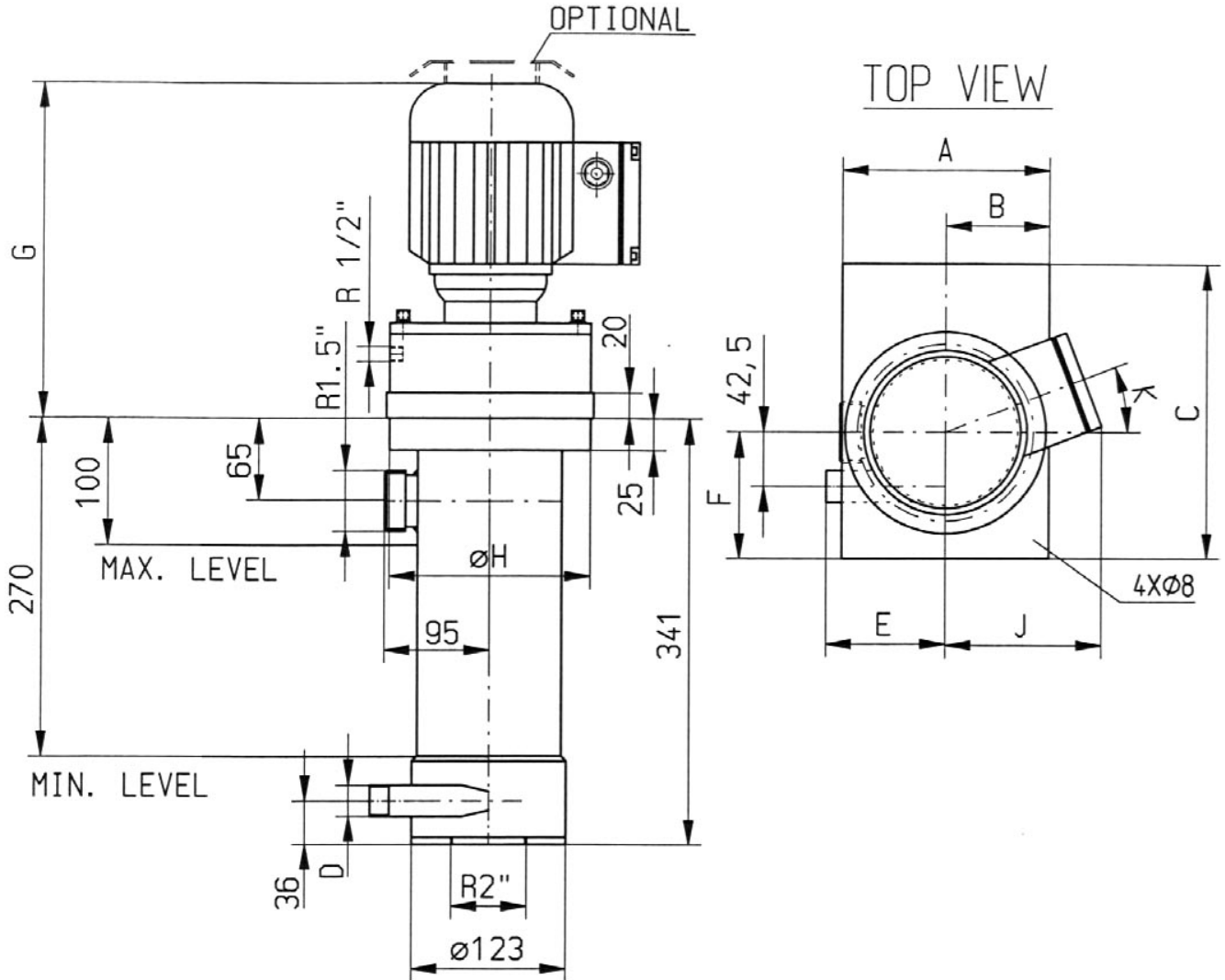


The suction pipe can be connected directly through the tank wall (A) **or** it can be in the form of a siphon pipe (B), as shown in the drawing.

In the event of a closed valve on the discharge pipe, the overflow pipe (C) relieves pressure by conducting the liquid back into the tank.



Dimensioned sketch Sumpro Model BB



Dimensions Sumpro Model BB

Type	D	A	B	C	E	F	G	H	J	K
DO-20-85-0.25	R $\frac{3}{4}$ " (MPT/BSP)	146	73	203	73	100	263	140	92	23°
DO-25-95-0.55	R1" (MPT/BSP)	165	82.5	235	95	100	268	150	114	21°
DO-32-95-0.75	R1" (MPT/BSP)	165	82.5	235	95	105	299	150	130	18°



OFFICIAL DISTRIBUTORS FOR:

**VIKING
PUMP**

A Unit of IDEX Corporation

Viking Gear Pumps

Liquiflo 

Liquiflo Gear Pumps



FINISH THOMPSON INC.

Finish Thompson Drum & Centrifugal Pumps



Codip Air Operated PTFE Diaphragm Pumps

MICROPUMP

Micropump Gear Pumps

HNP M

HNP Mikrosysteme

HNP Gear Pumps

WANNER
Hydra-Cell
Seal-less Pump Technology

Hydra-Cell High Pressure Diaphragm Pumps



M Pumps, Centrifugal,
Turbine and Vane Pumps

ISMATEC

Ismatec Peristaltic Pumps

 **FLUID** METERING, INC.

Fluid Metering Piston Pumps

