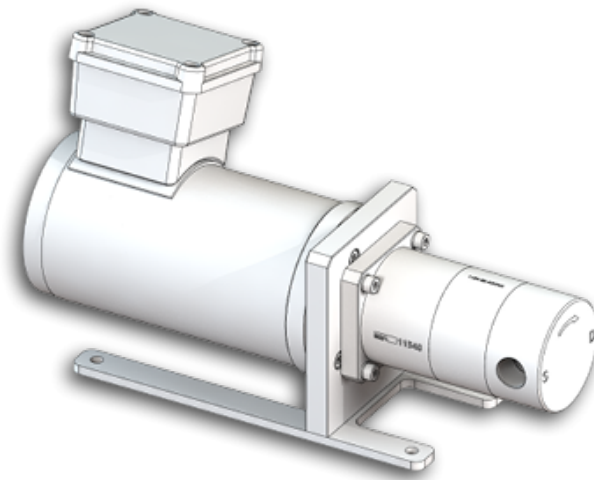


Product information

mzr-11547 · Modular pump series



Description

Micro annular gear pump mzr-11540 of the modular pump series operates with high dynamics, low pulsation and excellent precision in delivery as well as high repeatability in metering. The pump is suitable for low to high viscosity liquids and a differential pressure of up to 15 bar. It allows accurate displacement volumes starting at 100 µl in a metering time of 200 milliseconds. It also covers a flow rate range of 0.2 to 1,152 ml/min. The pump comes with lateral fluid connections or with a manifold version with frontal fluid connections.

Advantages

- High precision in metering and delivery
- Dynamic drive technology in regards to requirements with BLCD drive, BLCD drive with electronic module, stepper motor
- Broad viscosity range solvents, adhesives, water, grease, gel, colors
- Long service life wear-resistant tungsten carbide
- Low pulsation delivery, low shear stress rotary micro annular gear technology, no valves

Applications

- Mechanical engineering
- Chemical and pharmaceutical industry
- Process engineering
- Adhesives and sealants applications
- Spray-coating technology
- Coating technology
- Metering of different additives
- Filling technology
- Dosing of inks and colors

Technical data

Drive version	AC-motor
Flow rate	28.8 - 1,152 ml/min
Smallest dosage volume	100 µl
Displacement volume	192 µl
Differential pressure range	0 - 10 bar (145 psi)
Maximum inlet pressure	15 bar (217.5 psi)
Liquid temperature range	-5 ... +60 °C (+23 ... +140 °F)
Ambient temperature range	-5 ... +40 (+23 ... +104 °F) °C
Viscosity range	0.3 – 10,000 mPas
Precision CV	1 % (Coefficient of variation CV)
Fluid connection	3/8" NPT, lateral
Wetted parts	stainless steel 316 L, tungsten carbide Ni-based; shaft sealing: graphite-reinforced PTFE, Alloy C276; static sealing: FKM, optional: EPDM, FFKM
Motor	AC-motor, size 56, 4 pole; rated voltage 240/400 V, rated frequency 100 Hz, 240 W, IP 55
Velocity range	150 - 6,000 rpm
Positioning	no
Motor protection	thermal contact (NC)
Interface	terminal box with 2 couplings M16
Cable length	without cable m
Dimensions (L x W x H)	340 x 104 x 137 mm
Weight	approx. 9.1 kg
Remarks	* Customized solutions on request.

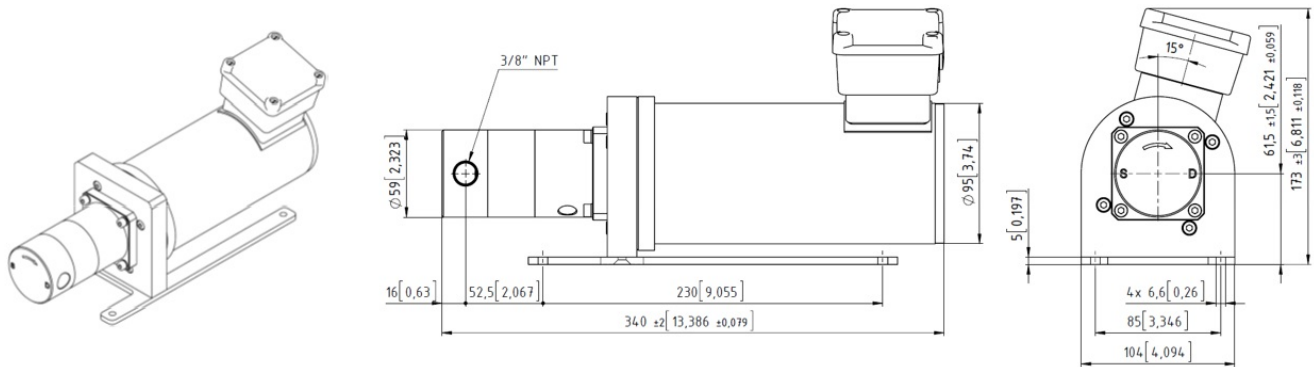
Notice

Even if single parameters are within the indicated performance range of technical data, certain parameter combinations may not be achievable. Single parameters may exceed their indicated performance range under adequate circumstances. For detailed evaluation please contact HNP Mikrosysteme. Actual performance may vary. Specifications are subject to change without notice.

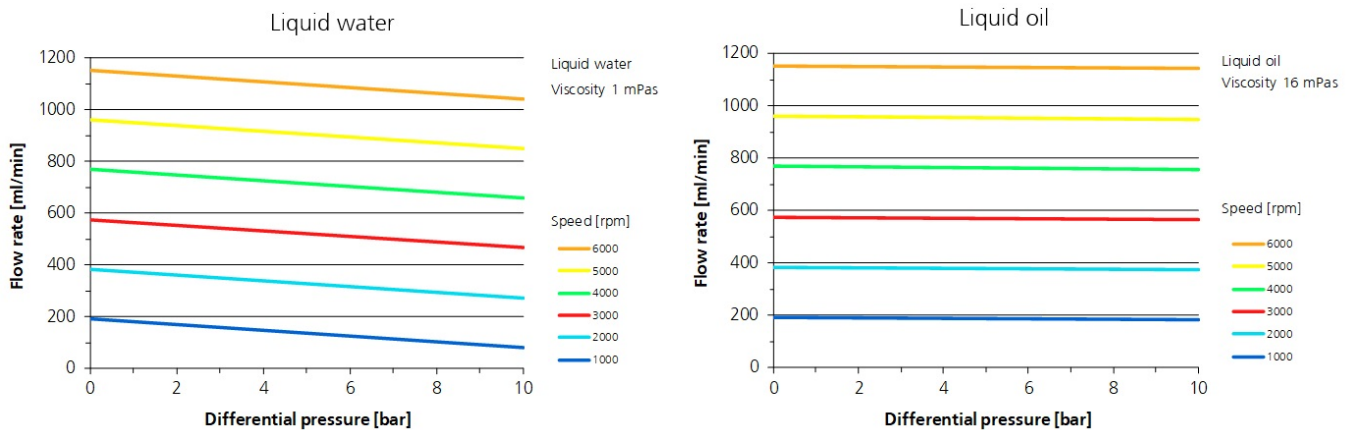
Accessories

- Reservoir Plastic
- Heat insulation module
- Electrical heating module

Dimensions



Flow charts



Patents and trademarks

Micro annular gear pumps (and housings) are protected by assigned patents: EP 1 354 135 B1; US 7,698,818 B2; DE 10 2011 001 041 B4; CN 103 348 141 B; US 10,012,220 B2; CN 103 732 921 B; US 9,404,492 B2; US 6,520,757 B1.

HNP M®, mzi®, MoDoS®, µ-Clamp®, µDispense®, Centifluidic Technologies®, LiquiDoS®, smartDoS®, colorDoS® are registered German trademarks of HNP Mikrosysteme GmbH.

Contact

HNP Mikrosysteme GmbH
Bleicherufer 25
19053 Schwerin
Germany

T +49 385 52190-300
F +49 385 52190-333
sales@hnp-mikrosysteme.de

Official UK Distributor:
Michael Smith Engineers Limited
Tel: 0800 316 7891
Web: www.michael-smith-engineers.co.uk

Last update 2021/03