

Low pressure series, Modular series

Controller S-KG

For continuous delivery



- Pump controller for continuous delivery
- Good value 4-Q-DC servo amplifier
- Digital encoder regulator
- Compact plastic housing
- Speed set with external voltage signal, external current signal or external potentiometer
- Current delimiter
- 6-pole pin headers for plug-in of mzs-pump
- Two colored LED status indicator

The controller S-KG is recommended for continuous flow control in combination with the micro annular gear pumps mzs-2521, mzs-2921, mzs-4622, mzs-2542

and mzs-2942. The 4-Q-DC servo amplifier enables to control the constancy of flow rate via motor speed using the encoder mode of operation. Speed can be adjusted

either with an external voltage signal (0 – 10 V), external current signal (4 – 20 mA) or an external potentiometer.

Technical data

Control	PID regulator for motor speed
Supply voltage U_B	24 V DC (10 – 30 V)
Max. continuous output current	0.5 A
Max. peak output current	1 A
Speed	100 – 6000 rpm
Voltage connector	screw terminal
Pump connector	pin headers, 6-pole
Input for motor speed »An_in«	voltage signal 0 – 10 V current signal 4 – 20 mA external potentiometer 10 k Ω
Enable input »Enable«	Enable: low (0 ... 0,5 V) Disable: high (4 V ... U_B)
Direction input »L/R«	Right direction: low (0 ... 0,5 V) Left direction: high (4 V ... U_B)
Speed output »Enc_out«	Open collector max. U_B / 50 mA
Error output »Error«	Open collector max. U_B / 50 mA No Error: high level
Operating temperature range	0 ... +50 °C
Protective class	IP 20
Dimensions (L x W x H)	approx. 68 x 57 x 24 mm
Weight	approx. 35 g

Subject to technical changes.

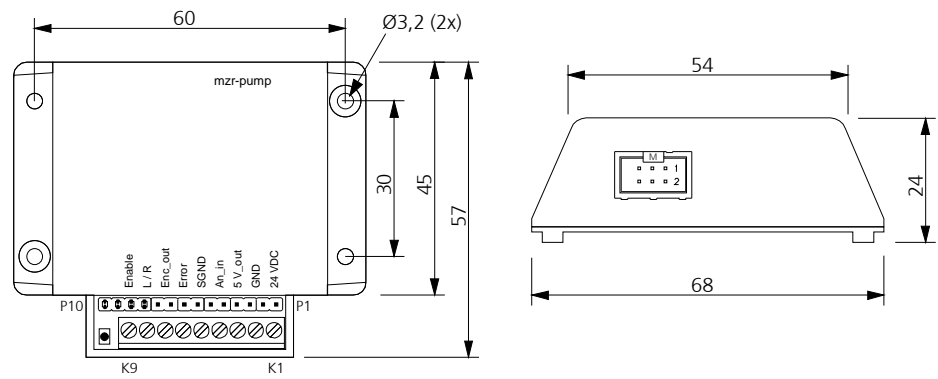
Contact

HNP Mikrosysteme GmbH
Bleicherufer 25 · D-19053 Schwerin

phone +49 385 52190-301
fax +49 385 52190-333

e-mail info@hnp-mikrosysteme.de
<http://www.hnp-mikrosysteme.de>

Dimensions



Subject to technical changes.

Item number

66 02 03 00

controller S-KG-21 for micro annular gear pumps mZR-2521 and mZR-2921

66 02 03 01

controller S-KG-22 for micro annular gear pumps mZR-2542, mZR-2942 and mZR-4622

Not available for mZR-7223 due to current limit