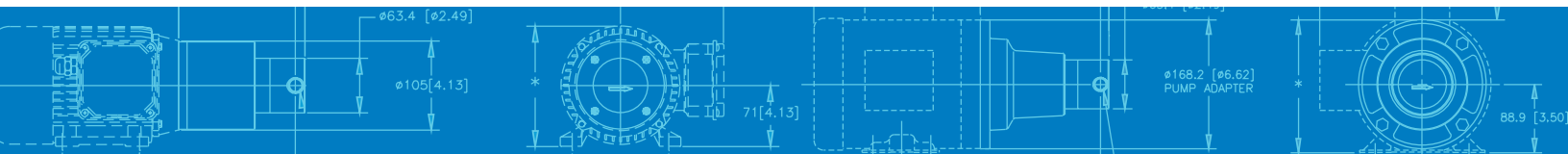


# Series CA

## MAGNETIC DRIVE CENTRIFUGAL PUMP

For high-flow applications requiring design simplicity, trust the reliable Micropump® Series CA Magnetic Drive Centrifugal Pump. The Series CA's magnetic drive removes the need for direct drive connection to the pump impeller, eliminating leak points associated with shaft seals, while providing energy-efficient fluid delivery. Stainless steel construction provides superior chemical and abrasion resistance. For easy maintenance, the Series CA features an integrated impeller and magnet assembly to reduce the number of rotating parts and maximizing pump life.



### SMALL SIZE

The miniature package size of the Series CA is easily incorporated into the design of many systems.

### SIMPLE CONSTRUCTION

For long life and easy service, Series CA uses a minimal number of moving parts. Its impeller/magnet assembly integrates rotating parts into one element, which reduces alignment problems, failures, and wear rates.

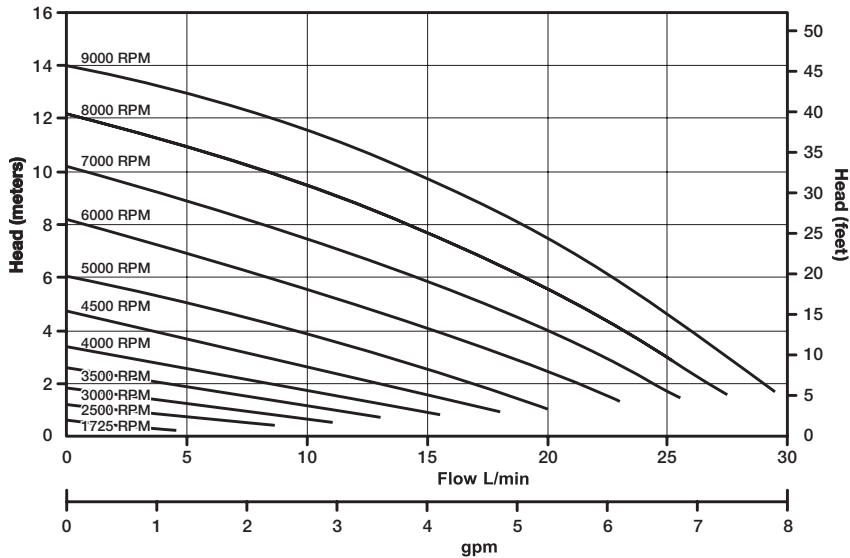
### SUPERIOR CHEMICAL AND ABRASION RESISTANCE

Impellers and wetted parts are made of PTFE and 316 stainless steel to provide excellent chemical compatibility and abrasion resistance, ensuring maximum service life under the most demanding conditions.

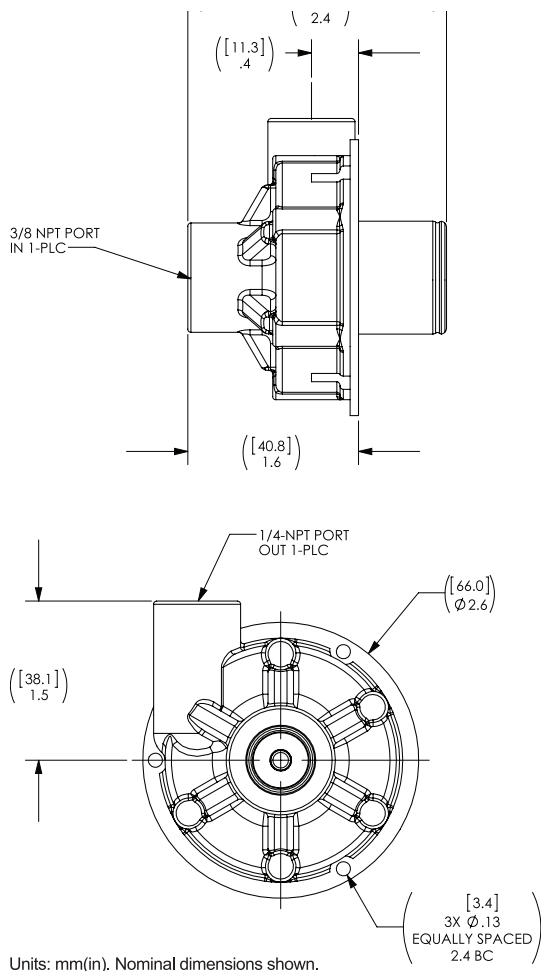
### ENERGY EFFICIENT DELIVERY

The Series CA pump housing is investment-cast in 316 stainless steel to ensure smooth flow with maximum corrosion resistance. A volute-type casing passageway is proportioned so fluid maintains its velocity head with minimal energy loss and low required input power.

# PUMP PERFORMANCE



# DIMENSIONS



# PERFORMANCE SUMMARY

- FLOW RATE AT 9000 RPM
  - ▶ 29.5 L/min (7.79 US gpm)
- MAXIMUM HEAD
  - ▶ 14 meters (45.93 ft)
- MAXIMUM RATED SYSTEM PRESSURE
  - ▶ 13.8 Bar (200 psi)
- TEMPERATURE RANGE
  - ▶ -46 to 121 °C (-50 to 250 °F)
- VISCOSITY RANGE
  - ▶ Up to 100 cps
- SUCTION CAPABILITIES
  - ▶ Consult distributor

# PUMP CONSTRUCTION

- ▶ Magnetic drive centrifugal pump

# WETTED MATERIALS

- IMPELLER ASSEMBLY
  - ▶ 316 stainless steel impeller
  - ▶ PTFE bushings
  - ▶ 316 stainless steel/PTFE driven magnet
- PUMP HOUSING
  - ▶ 316 stainless steel
- STATIC SEALS
  - ▶ PTFE
- THRUST PLATE
  - ▶ PTFE

# DRIVING MAGNET

- ▶ Rare earth magnet encapsulated in PTFE/316 stainless steel

# DRIVE OPTIONS

- ▶ AC
- ▶ DC
- ▶ Air Motor
- ▶ Electromagnetic

**MICROPUMP** OFFICIAL UK DISTRIBUTOR: Michael Smith Engineers Limited  
 www.michael-smith-engineers.co.uk Freephone: 0800 316 7891

Micropump, Inc | A Unit of IDEX Corp. | 1402 NE 136th Avenue • Vancouver, WA 98684  
 T 800.671.6269 • +1.360.253.2008 | F +1.360.253.8294 | info.micropump@idexcorp.com | www.micropump.com

ACTUAL PERFORMANCE MAY VARY. Specifications are subject to change without notice. ©2016 Micropump, Inc., A Unit of IDEX Corporation.  
 Micropump and the Micropump logo are registered trademarks of Micropump, Inc.