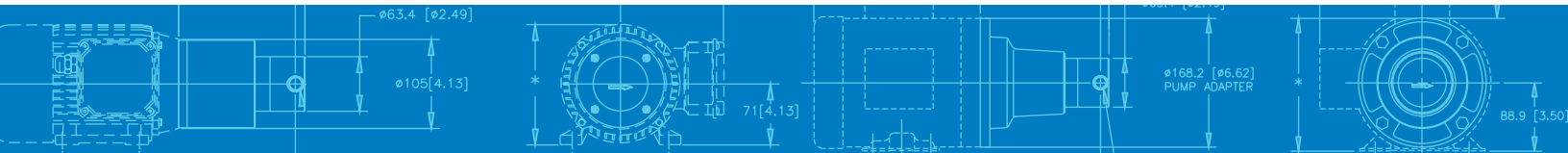




Series GJ

MAGNETIC DRIVE GEAR PUMP

Series GJ pumps deliver exceptional pumping performance for any high-precision application. These compact magnetically driven gear pumps feature a cavity style design with no dynamic seals for applications that cannot tolerate leaks. Micropump's Series GJ pumps offer excellent chemical resistance, abrasive fluid pumping, and smooth pulseless fluid delivery. Series GJ pumps are ideal for a wide-range of fluidic applications.



CAVITY STYLE PUMPS

Cavity style pumps are excellent for wide-ranging inlet and outlet operating conditions, and allow for intermittently pumping in reverse.

SMALL SIZE

The miniature package size of the Series GJ is easily incorporated into the design of many systems.

FLUID PATH INTEGRITY

The magnetic drive and static PTFE seals keep the fluid securely inside the pump and potential contaminants out.

SMOOTH PULSELESS DELIVERY

Positive displacement, precision gears provide consistent fluid delivery in continuous processes.

CHEMICALLY RESISTANT

Series GJ has a long-life in aggressive environments.

EASY TO SERVICE

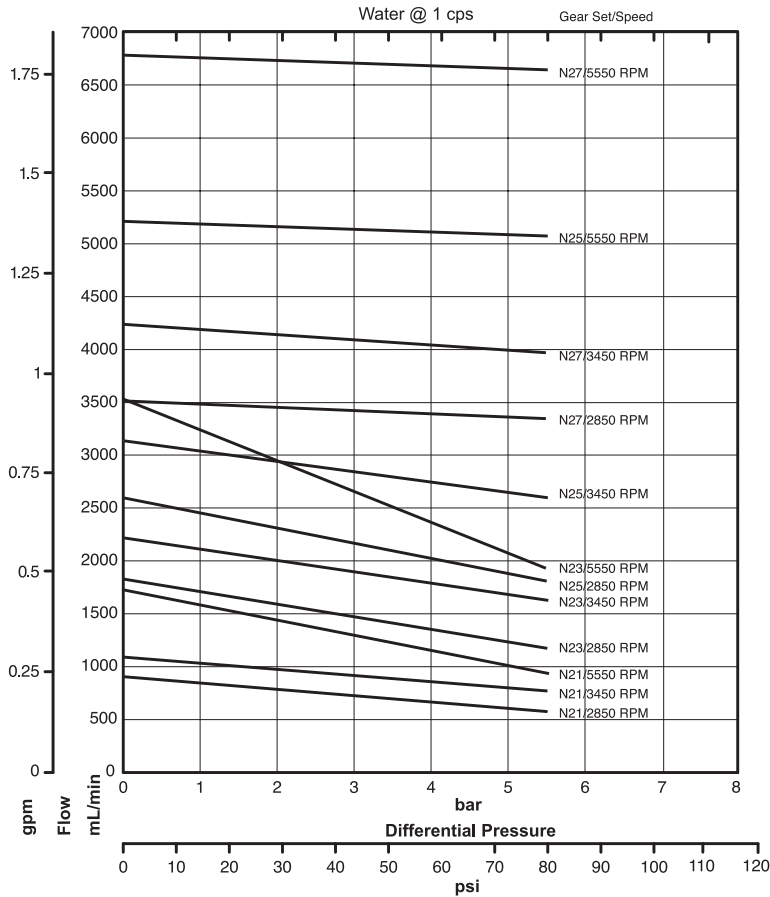
Series GJ pumps are easy to service using a Micropump service kit and simple hand tools.

WIDE RANGE OF CONFIGURATIONS

Micropump's designs offer a wide range of configurations to meet your more challenging requirements including:

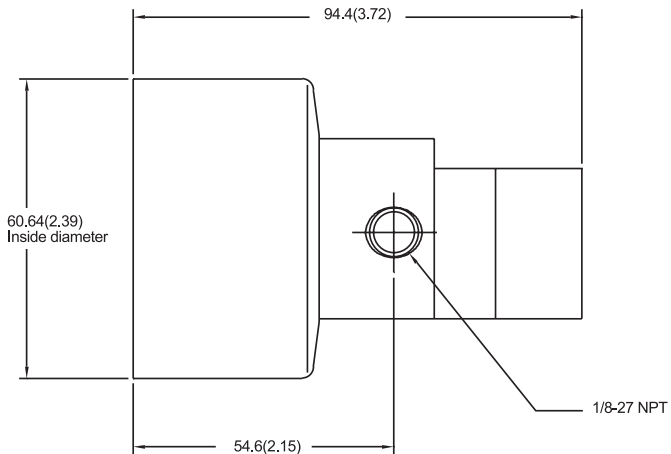
- ▶ Three standard gear sizes
- ▶ Multiple gear and body materials
- ▶ Optional internal bypass
- ▶ Optional high-torque magnets
- ▶ NEMA, IEC, EagleDrive™, and Micropump drive mounts

PUMP PERFORMANCE



DIMENSIONS

A MOUNT



Units: mm(in). Nominal dimensions shown.

PERFORMANCE SUMMARY

FLOW RATE AT 5500 RPM

- ▶ 6.8 L/min (1.8 US gpm)

DISPLACEMENT

- ▶ Gear Set N21 N23 N25 N27
- ▶ mL/rev 0.316 0.64 0.91 1.23
- ▶ US gal/1000 rev 0.08 0.17 0.24 0.32

MAXIMUM RATED DIFFERENTIAL PRESSURE

- ▶ 5.6 Bar (80 psi)

MAXIMUM RATED SYSTEM PRESSURE

- ▶ 21 Bar (300 psi)

TEMPERATURE RANGE

- ▶ -46 to 121 °C (-50 to 250 °F)

VISCOSITY RANGE

- ▶ 0.5 to 1500 cps

MAXIMUM RECOMMENDED SPEED

- ▶ 5500 rpm

PUMP CONSTRUCTION

- ▶ Magnetic drive gear pump
- ▶ Cavity style
- ▶ Two helical, shafted gears
- ▶ Sleeve bushings
- ▶ PTFE bevel or o-ring seal

WETTED MATERIALS

BASE MATERIAL

- ▶ 316 stainless steel ▶ Alloy 276
- ▶ Titanium ▶ Alloy 20

GEARS

- ▶ PEEK
- ▶ PPS
- ▶ PTFE

STATIC SEALS

- ▶ PTFE

MAGNETS

DRIVEN AND DRIVING

- ▶ Ferrite
- ▶ Electromagnetic
- ▶ Rare earth

PRODUCT ENHANCEMENTS

- ▶ Internal Bypass
- ▶ Deck Ports

MICROPUMP

OFFICIAL UK DISTRIBUTOR: Michael Smith Engineers Limited
www.michael-smith-engineers.co.uk Freephone: 0800 316 7891

Micropump, Inc | A Unit of IDEX Corp. | 1402 NE 136th Avenue • Vancouver, WA 98684

T 800.671.6269 • +1.360.253.2008 | F +1.360.253.8294 | info.micropump@idexcorp.com | www.micropump.com

ACTUAL PERFORMANCE MAY VARY. Specifications are subject to change without notice. ©2016 Micropump, Inc., A Unit of IDEX Corporation. Micropump and the Micropump logo are registered trademarks of Micropump, Inc.

REV. 5/17