

CODIP

P.T.F.E. TUBULAR DIAPHRAGM PUMP
TYPE RP-60
DIMENSIONAL DATA

DWG. N.

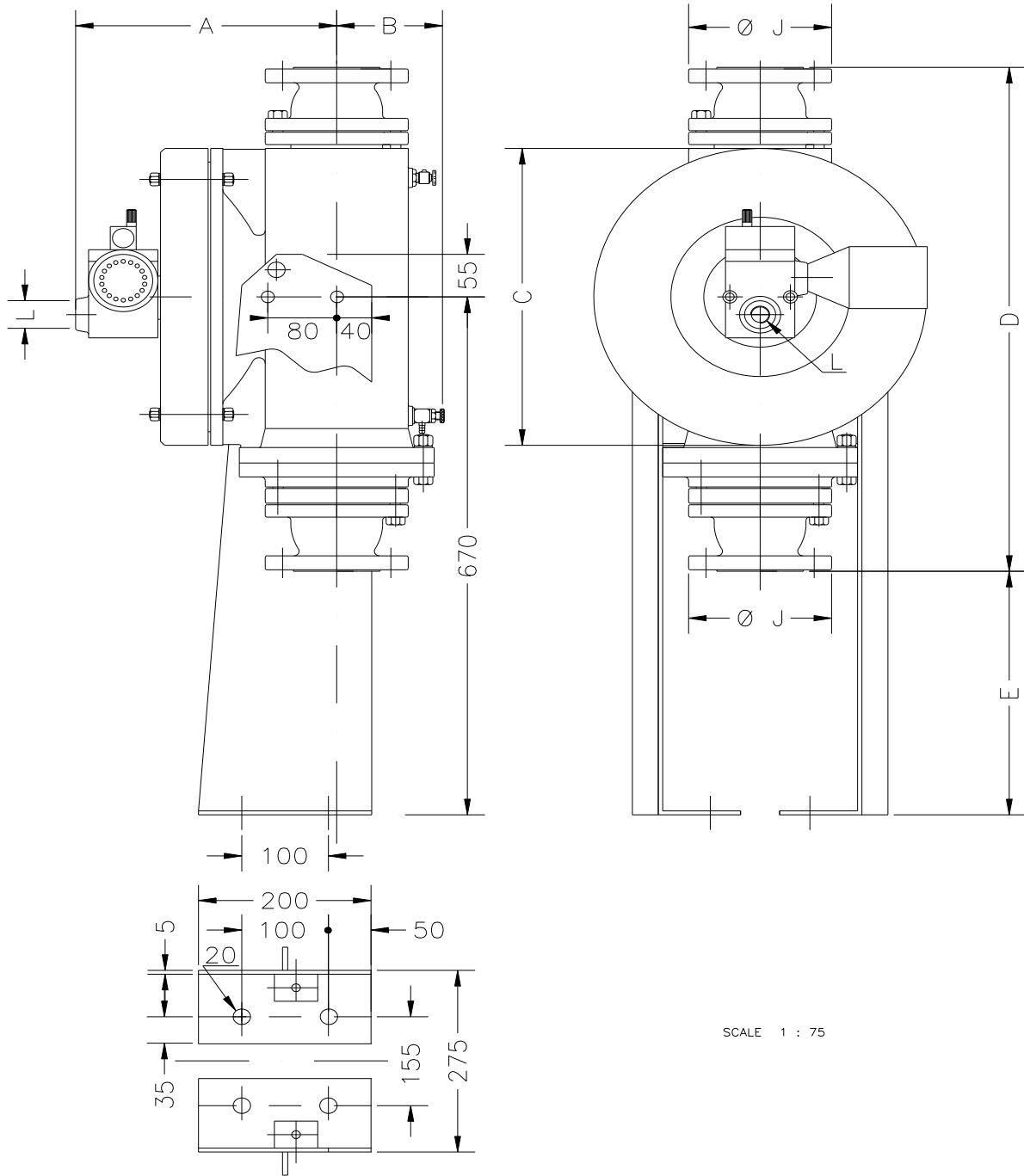
0602

DATE

18/02/03

REV.

0	1	2	3	4
---	---	---	---	---



SCALE 1 : 75

A	B	C	D	E	∅ J	∅ L	R	S	∅ T	V	W	X	Y	Z
305	120	385	650	315	165	1/2" GAS	200	95	20	145	275	50	100	80

0602

CODIP

21050 BUSTO ARSIZIO (ITALY) - P.O.B. 122 - VIALE CADORNA 8
TELEPHONE (0331) 679.186 - TELEFAX : 678.341

OFFICIAL UK DISTRIBUTOR:

Michael Smith Engineers Limited

Website: www.michael-smith-engineers.co.uk

Freephone: 0800 316 7891