

New EF Series

Outstanding Performance Outstanding Value



OFFICIAL UK DISTRIBUTOR:
Michael Smith Engineers Limited
www.michael-smith-engineers.co.uk
Freephone: 0800 316 7891

Tube Features

Three materials of construction

EFP = Polypropylene tube with 316 stainless steel shaft

- Non-corrosive and mildly corrosive liquids

EFV = Pure polypro/PVDF tube with Alloy 625 shaft

- Highly corrosive liquids including light acids and bases and bleach

**EFS = 316 stainless steel tube with 316 stainless shaft
(available late fourth quarter 2010)**

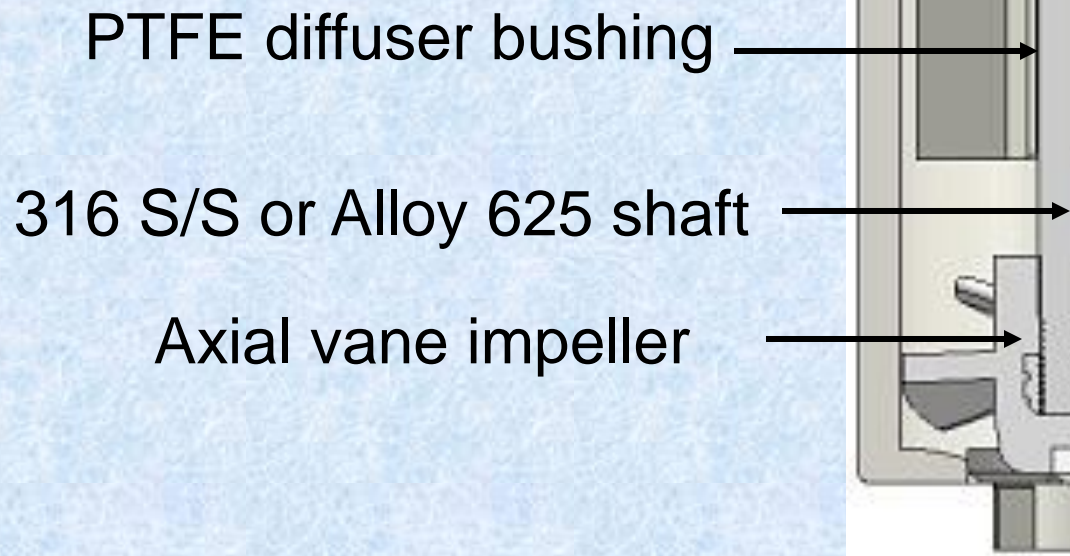
- Non-corrosive and mildly corrosive liquids and non-flammable solvents

Tube Features

Sealless design

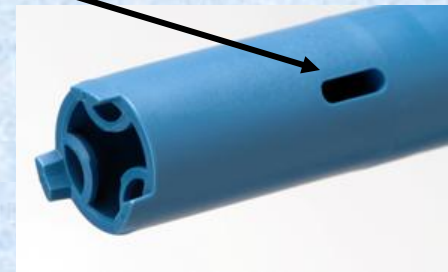
- Improves reliability and efficiency
- No liquid reaches vapor seal

Diffuser Assembly



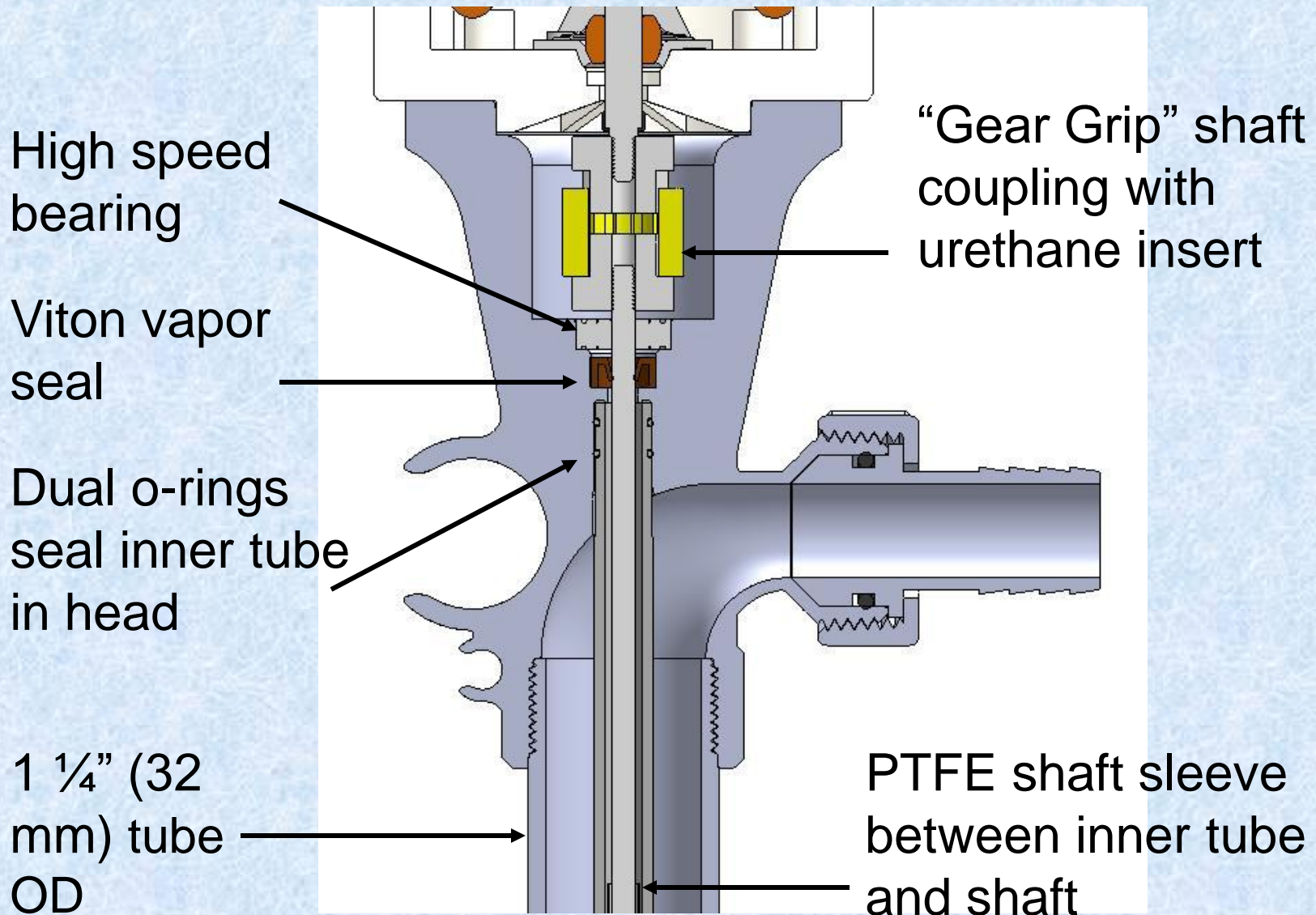
Inner tube

Discharge ports



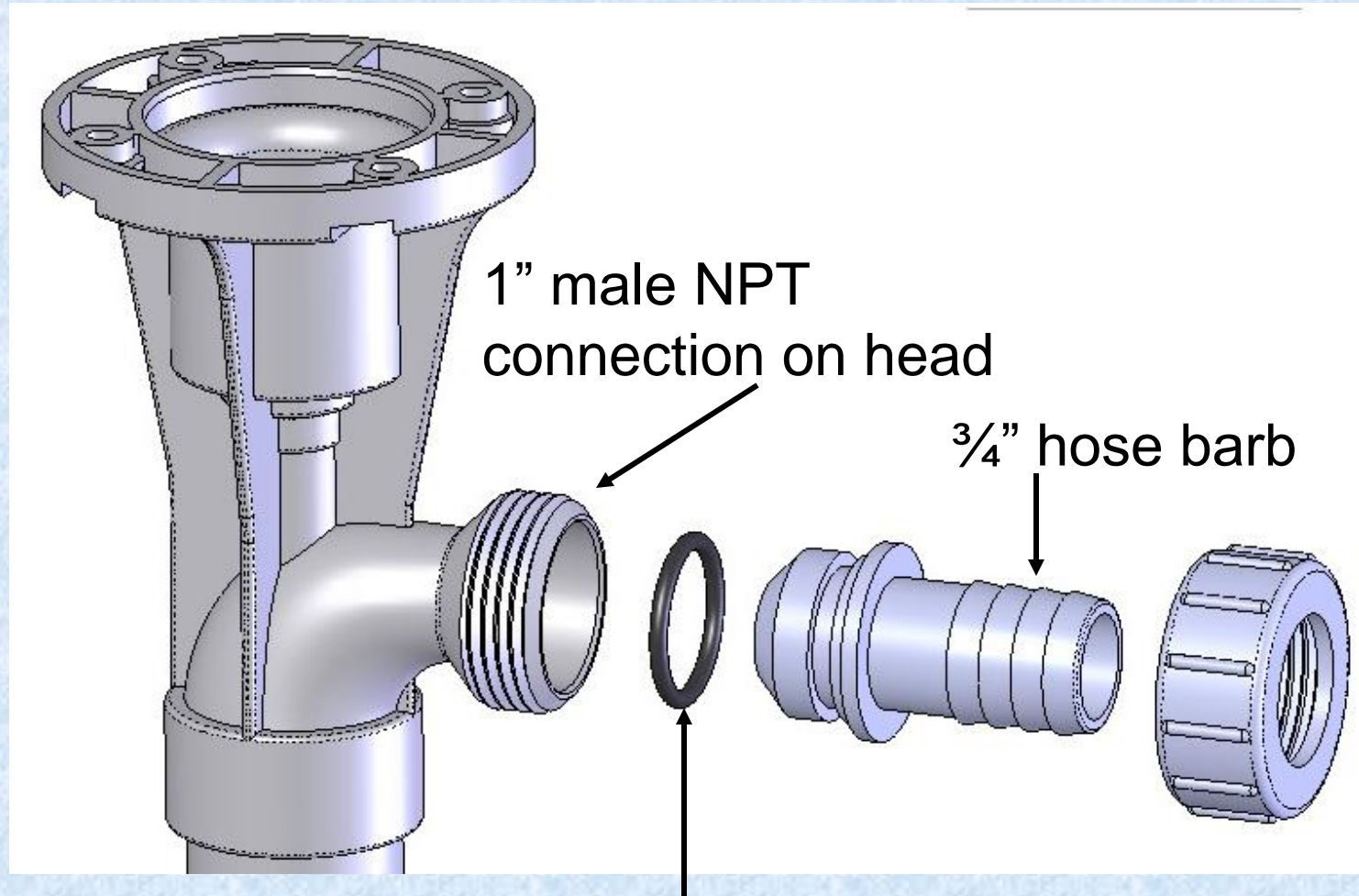
Ports do not create a vacuum like PF Series. They provide pressure relief from leakage between the shaft & diffuser bushing when deadheaded.

Tube Features



Tube Features

Discharge design – EFP, EFV (EFS = $\frac{3}{4}$ " barb)



O-ring is radial seal, it allows hose movement without leakage

Tube Features

Integrated hose and cord clip (EFP and EFV only)
Keeps hose and plug off the floor – snaps in place



Tube Features

Four tube lengths - Handles a wide variety of container types from buckets and pails to drums and totes (IBC's)

- 16" (41 cm) – for buckets and pails
- 27" (69 cm) – for 15 gallon (57 liter) containers
- 40" (102 cm) – for 30 gallon (114 liter) & 55 gallon (208 liter) containers
- 48" (122 cm) – for 275 gallon (1,040 liter) totes (IBC)

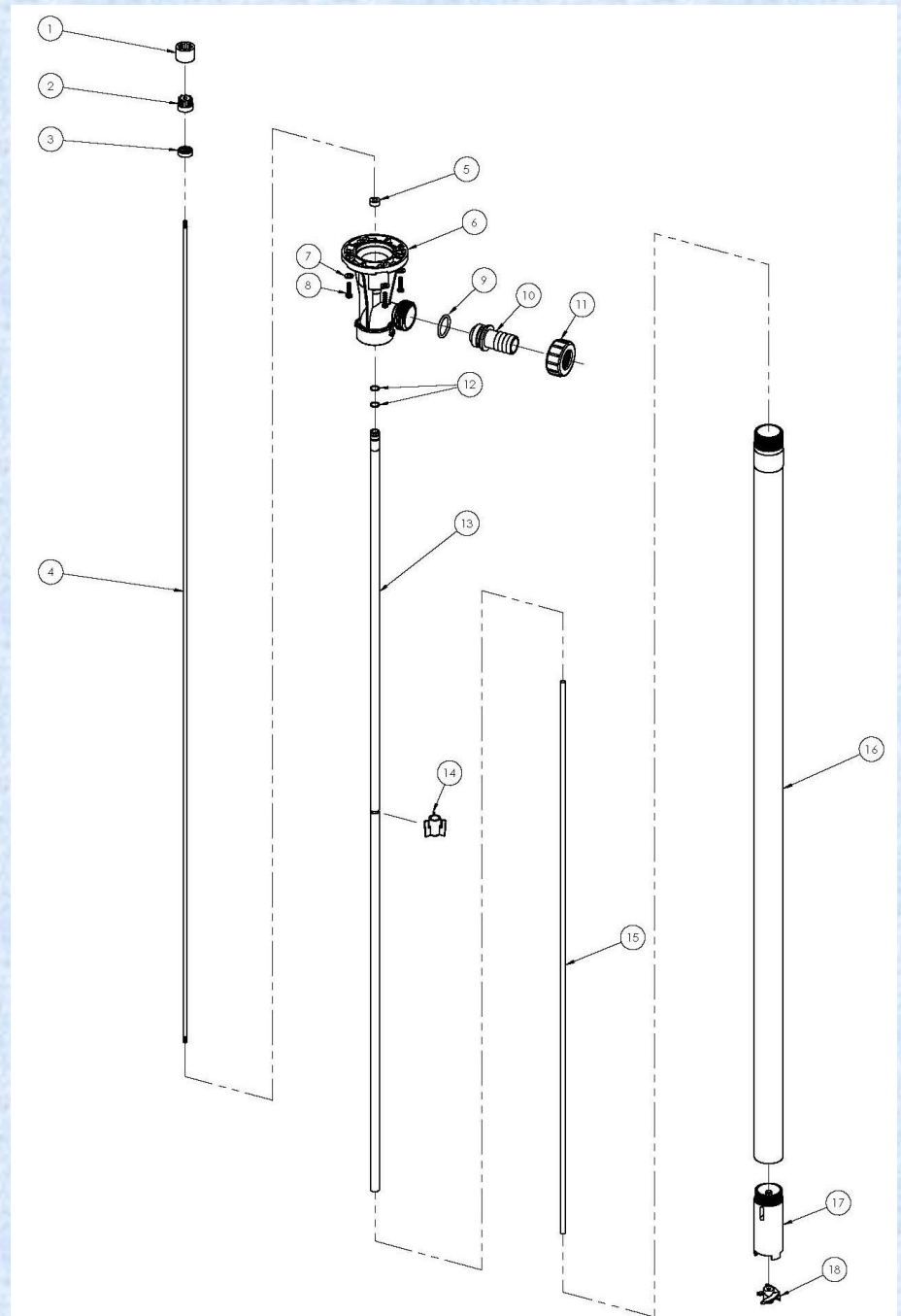


Tube Features

Repairable

Pump tube is able to be disassembled in the field should repair ever be necessary.

Parts are individually replaceable.



Motor Features

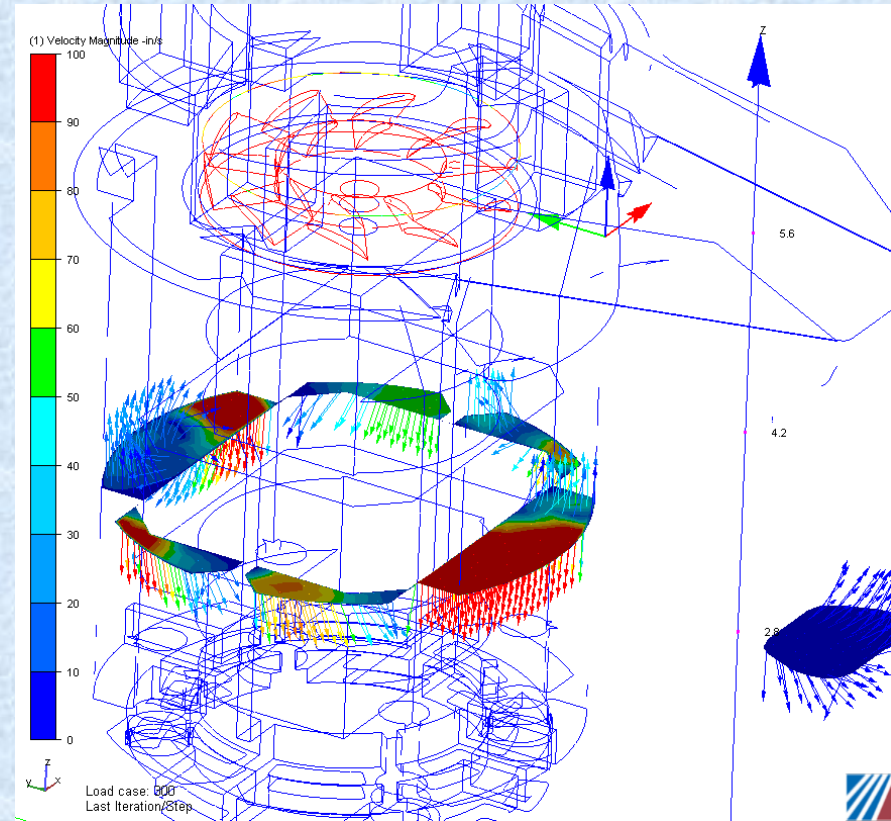
High speed electric or air motor options

- Motors easily attach with four supplied screws
- Motors and tubes are sold separately for easy stocking
- Three electric and one air version available



Electric Motor Features

- Electric motors were designed using advanced computer software
- Motors are double insulated and splashproof (IP24)
- They are suitable for use indoors or outdoors
- Downdraft cooling helps prevent corrosive vapors from entering the motor



Electric Motor Features

- Motors utilize a two speed switch for exceptional control of the fluid flow
- High speed setting is 14,000 rpm
- Low speed setting is 8,000 rpm
- Circuit breaker with external reset
- Motor is rated for continuous duty
- Powerful 1/3rd horsepower (230-250 watt)
- Includes 12 feet (3.6 m) cord with plug (except S3, 115 volt UK motor, has no plug)
- Noise level = <74 dBA



Electric Motor Features

Ergonomics

- Handle is angled to be more comfortable and easier to accommodate gloves
- Motor body OD is small enough to hold comfortably by hand
- Motor top is domed to help discourage storing pump upside down
- Lightweight, 2.7 lbs (1.2 kg)



Electric Motor Features

Three models available

- **S1** = 115 volt, 60 Hz, CSA certified
- **S2** = 230 volt, 50-60 Hz, CE marked
- **S3** = 110 volt, 50-60 Hz, CE marked (for UK use)



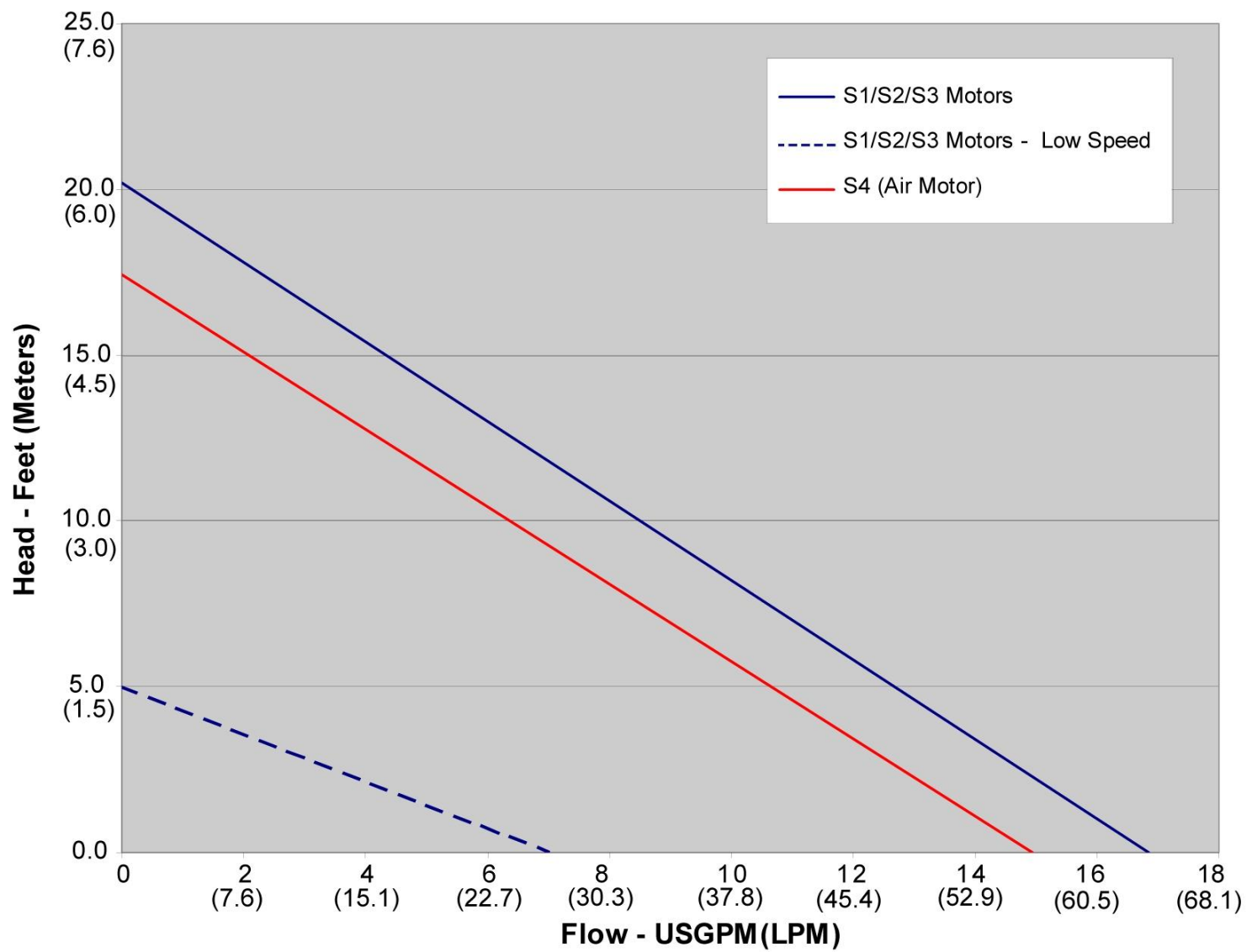
Air Motor Features

S4 air motor

- ½ horsepower (373 watts)
- 300-11,000 rpm
- Continuous rated
- Includes muffler and control valve
- Noise level = 78 dBA
- Lightweight, 2.1 pounds (1 kg)
- Air requirements = 40 psi (2.7 bar) / 27 cfm (46 m³/hr)



Performance



Performance

Maximum specific gravity = 1.2 to 1.3

Maximum viscosity = 300 cP

Viscosity	100 cP		200 cP		300 cP	
Max Flow	7 gpm	27 lpm	5 gpm	19 lpm	3.7 gpm	14 lpm
Max Head	16 feet (4.9 m)					

Maximum/minimum fluid temperature

- EFP = 0° F (-18 C) to 150° F (66° c)
- EFV = 0° F (-18 C) to 160° F (71° C)
- EFS = 0° F (-18 C) to 212° F (100° C)

Application Examples

- Water treatment plants – Sodium hypochlorite
- Plating companies – plating solutions, acids
- Laboratories – reagents, acids, bases
- Kidney dialysis clinics – sodium bicarbonate
- Clothing manufacturing – bleach, softeners
- Electric generating plants – boiler treatment
- Electronics manufacturing – plating solutions
- Food manufacturing – cleaning solutions
- Hospitals – cleaning solutions
- Metal working – coolants, cleaning solutions
- Swimming pool supply stores – bleach, acids

