



FINISH THOMPSON INC.

PF SERIES PUMPS

PFS ATEX VERSION

(INCLUDES M6A, M6XA, M10X MOTORS & SPK)

OPERATION & PARTS MANUAL



Introduction

This manual pertains to the PF Series, specifically the ATEX version of the PFS stainless steel drum pump. Finish Thompson Inc. thanks you for choosing our products. We believe the use of our products will be fully satisfactory. When properly installed and operated, your Finish Thompson motor and pump will provide long, trouble-free service; therefore, please read this manual carefully before carrying out any operations on the pump/motor unit. Any use other than that described herein is considered incorrect; and, consequently, Finish Thompson Inc. shall not be held responsible for any damages to people or property. In case of doubt or enquiries, please reply to our Technical Service department directly at the following address:

Finish Thompson, Inc.
921 Greengarden Rd.
Erie, PA 16501 U.S.A.
Tel. 1-814-455-4478; Fax 1-814-455-8518
www.finishthompson.com; fti@finishthompson.com

Index

Introduction	1
Warranty, General Terms & Conditions.....	2
Safety	3
Pump Specifications	4
ATEX Specifications	5
PFS Installation.....	6
Static Protection Kit Assembly.....	6-7
Maintenance	
Disassembly	7
Inspection	8
Reassembly	8
Exploded View	9
Pump Tube Spare Parts List	10
M6A Spare Parts List & View	11
M6XA Spare Parts List & View	12
M10X Spare Parts List & View	13
ATEX Certificates	14
EC Certificates of Conformity	15-16

Technical Service Hotline: 1-800-888-3743 or email techservice@finishthompson.com

Warranty, General Terms & Conditions

1. The following terms and conditions apply to the sale of machinery, components and related services and products, of Finish Thompson Inc. (hereinafter “the products”)
2. Finish Thompson Inc. (the manufacturer) warrants only that:
 - a) its products are free of defects in material, design and workmanship at the time of original purchase;
 - b) its products will function in accordance with Finish Thompson Inc. operation manuals; Finish Thompson Inc. does not guarantee that the product will meet the precise needs of the Customer, except for those purposes set out in any invitation to render documents or other documents specifically made available to Finish Thompson Inc. before entering into this agreement;
 - c) high quality materials are used in the construction of the pumps and that machining and assembly are carried out to the highest standards. Except as expressly stated above, Finish Thompson Inc. makes no warranties, express or implied, concerning the products, including all warranties of fitness for a particular purpose.

This warranty shall not be applicable in circumstances other than defects in material, design, and workmanship. In particular warranty shall not cover the following:

- d) Periodic checks, maintenance, repair and replacement of parts due to normal wear and tear;
- e) Damage to the product resulting from:
 - i. Tampering with, abuse or misuse, including but not limited to failure to use the product for its normal purposes as stated at the time of purchase or in accordance with Finish Thompson, Inc. instructions for use and maintenance of the product, or the installation or improper ventilation or use of the product in a manner inconsistent with the technical or safety standard in force;
 - ii. Repairs performed by non-authorized service workshop, or opening of the unit by non-authorized personnel, or use of non genuine Finish Thompson Inc. parts;
 - iii. Accidents, force majeure or any cause beyond the control of Finish Thompson Inc., including but not limited to lightning, water, fire, earthquake, and public disturbances, etc.
3. The warranty shall cover the replacement or repair of any part, which is documented to be faulty due to construction or assembling, with new or repaired parts free of charge delivered by Finish Thompson, Inc. Parts subjected to normal wear and tear shall not be covered by the warranty. Finish Thompson, Inc. shall decide as to whether the defective or faulty part shall be replaced or repaired. Transportation charges are prepaid to Finish Thompson.
4. The warranty of the products shall be valid for a period of **12 months** from the date of delivery, under the condition that notice of the alleged defect to the products or parts thereof be given to Finish Thompson, Inc. within the term of 8 days from the discovery.
5. Repair or replacement under the terms of this warranty shall not give a right to an extension to, or a new commencement of, the period of warranty. Repair or replacement under the terms of this warranty may be fulfilled with functionally equivalent re-conditioned units. Finish Thompson Inc. qualified personnel shall be solely entitled to carry out repair or replacement of faulty parts after careful examination of the motor. Faulty parts or components when replaced by Finish Thompson Inc. will become the property of Finish Thompson Inc. If this warranty does not apply, the purchaser shall bear all cost for labor, material and transportation.
6. Finish Thompson Inc. will not be liable on any claim, whether in contract, tort, or otherwise, for any indirect, special, incidental, or consequential damages, caused to the customer or to third parties, including loss of profits, process down time, transportation costs, costs associated with replacement or substitution products, labor costs, installation or removal costs. In any and all events, manufacturer’s liability shall not exceed the purchase price of the product and/or accessories.
7. **Return Policy.** Should you have any problems with this product, please contact the distributor in your area. The distributor will determine if a return to the factory is necessary and will contact the factory for a Return Authorization Number. Otherwise, contact our Technical Service Hotline (1-800-888-3743) or e-mail techservice@finishthompson.com if you have any questions regarding product operation or repair.

Warranty Registration

Thank you for your purchase of this quality Finish Thompson product. Be sure to take a minute to register your pump at Finishthompson.com/warranty. Simply provide the model number, serial number and a few other pieces of information.

Safety

1. Introduction

This manual contains all the information needed for the correct installation, use and maintenance of your new Finish Thompson pump. It should be read and understood by all the personnel involved in installation, operating and servicing of the pump before it is started.

2. Operator Qualification and Training

The personnel in charge of the installation, the operation, and the maintenance of the pump must be qualified and able to perform the operations described in this manual. Finish Thompson, Inc. shall not be held responsible for the training level of personnel and for the fact that they are not fully aware of the contents of this manual.

3. Safety Instructions

FOR YOUR OWN SAFETY

▲ **BEFORE** using or servicing your pump, please make sure to wear the proper clothing, eye protection and follow standard safety procedures when handling corrosive or personally harmful materials.

GENERAL DANGER

▲ **ALWAYS** use a stainless steel pump tube with an explosion proof electric motor or air motor and static protection kit with grounded discharge hose when pumping or mixing flammable or combustible material.

ALWAYS use and store the pump and motor in an upright position.

NEVER use in pressurized containers.

ALWAYS use a chemically compatible hose rated for the temperature of the product being pumped.

ALWAYS select the proper o-ring material. Improper material selection could lead to swelling and be a possible source of leaks. This is the responsibility of the end user.

ALWAYS check the pump for leaks on a regular basis. If leaks are noticed, the pump must be repaired or replaced immediately.

ALWAYS clean the pump on a regular basis to avoid any dust buildup greater than 5mm deep.

ALWAYS check compatibility and temperature range of pump with liquids used. A Chemical Resistance and Material Selection Guide can be downloaded from our website at www.finishthompson.com.

NEVER run dry.

NEVER use with liquids containing solids that can damage the internals (i.e. metal chips) without optional strainer.

ALWAYS flush unit with water after each use.

ALWAYS store unit upright, i.e. motor above pump, and away from corrosive liquids and vapors.

ALWAYS check bearings for signs of overheating, abnormal noise or other signs of premature failure on a daily basis. Bearings should be replaced at the first sign of failure.

ALWAYS when using an air motor, use an automatic airline lubricator, moisture trap, and filter in the airline before the motor (use SAE#10 oil in the lubricator). Adjust lubricator to feed one drop of oil per minute of continuous run time. Do not exceed 80 psi (5.5 bar) on M6A and 100 psi (6.9 bar) on M6XA. Maximum air consumption: M6A = 27 cfm (12.7 lps), M6XA = 30 cfm (14.2 lps).

DANGER: POWER SUPPLY

Refer to instructions in this manual.

▲ 4. Noise Level

90 db at a distance of 3 feet (approximately 1 meter).

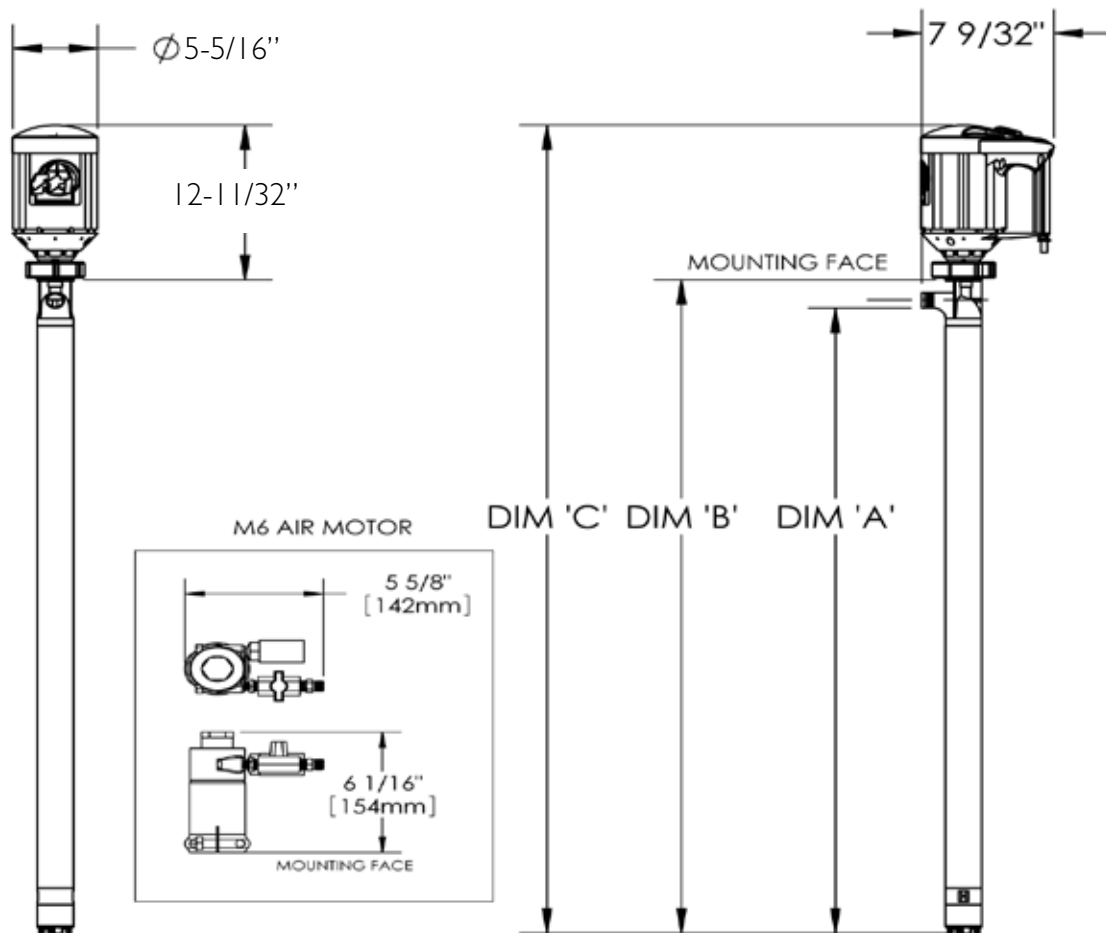
5. Modifications and Spare Parts

Any changes concerning the service of the pump as originally purchased can be executed only after written approval from Finish Thompson Inc. It is recommended to use only genuine Finish Thompson Inc. spare parts and approved accessories. The use of non-original spare parts or non-approved accessories will void warranty and removes any responsibility on the manufacturer's behalf for any damage caused to people or things.

6. Cleaning

It is highly recommended to flush pumps with clean water or some other neutralizing fluid compatible with pump materials when done pumping or when switching chemicals.

PUMP SPECIFICATIONS	
MODEL PFS ATEX	
Outer Tube Diameter	2" (51 mm)
Discharge Type	1" hose barb
Max. Specific Gravity	1.83
Max. Viscosity	500 cP
Min./ Max. Fluid Temperature	5°F Min. to 220°F Max.
	21°C Min. to 105°C Max.
Wetted Materials	316 Stainless Steel, Perlast, PTFE, ETFE



MODEL	DIM A (in)	DIM B (in)	DIM C (in)	DIM A (mm)	DIM B (mm)	DIM C (mm)
PFS-27	27	29	41-3/8	685.8	737	1050.9
PFS-40	40	42	54-3/8	1016	1067	1381.1
PFS-48	48	50	62-3/8	1219.2	1270	1584.3
PFS-60	60	62	74-3/8	1524	1575	1889.1
PFS-72	72	74	86-3/8	1828.8	1880	2193.9

ATEX COMPLIANCE

The FTI PFS drum pump has been designed for use in hazardous environments. It meets the requirements set forth by EC directive 94/9/EC. This pump is designed to operate in zone 0 where explosive atmospheres are present. All three components (drum pump tube, motor and Static Protection Kit) must be properly installed.

TEMPERATURE CLASSIFICATION

The surface temperature of the PFS pump depends upon the temperature of the fluid being pumped. Below is a chart showing the temperature class that the pump falls in for various fluid temperatures, when used in locations where the ambient air temperature is no greater than 104°F (40°C). The PFS, when used in hazardous locations, should only be used on products that allow for safe operation within these classes.

Fluid Temperature	Maximum Surface Temperature	Temperature Class	Maximum Allowable Surface Temperature
75°F (24°C)	171°F (77°C)	T5	212°F (100°C)
135°F (57°C)	185°F (85°C)	T4	275°F (135°C)
190°F (88°C)	200°F (93°C)	T4	275°F (135°C)
220°F (104°C)	208°F (97°C)	T4	275°F (135°C)

ATEX MOTOR INFORMATION



This symbol appears on labels of motors that are designed for use in hazardous atmospheres. These motors comply with the applicable standards and specifications and meet the requirements of the guidelines of the EC directive 94/9EC (ATEX 100a). They are intended to be used in zones 1 and 2 where explosive atmospheres are likely to occur.

Complete the following checklist prior to starting installation in a hazardous area. All actions must be completed in accordance with ATEX 100a.

Checklist for installation in hazardous areas:

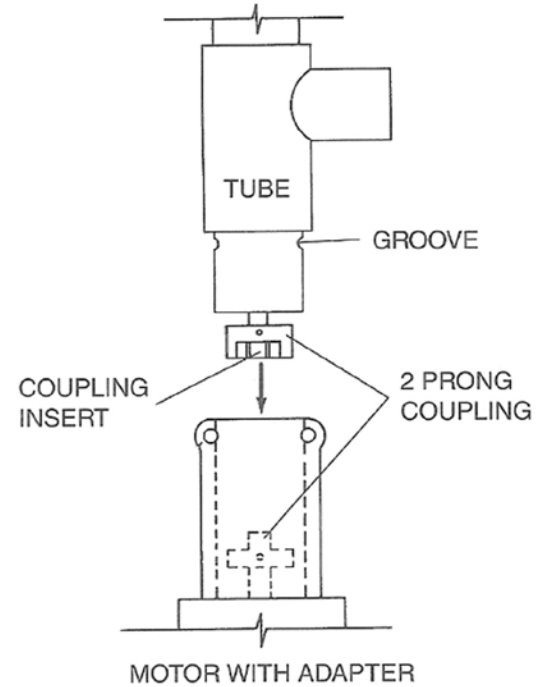
- Read motor label to check that motor has been designed for use in a hazardous application:
- Hazardous Zone
- Hazardous category
- Equipment group
- Temperature class
- Maximum surface temperatures
- Check the site environment for potentially explosive oils, acids, gases, vapors or radiation
- Check the site to make sure that the motor will be adequately ventilated and that there is no external heat input. The cooling air may not exceed 104°F/40°C.
- Check that the motor is not damaged.
- Maximum motor surface temperature should not exceed 275°F/135°C based on ATEX temperature class T4 ambient range +1C° to + 40°C (34°F / 104°F).

Installation, Assembly & Maintenance Instructions

PFS Installation

Installation

1. Remove the drum pump and motor from its packaging and inspect for shipping damage.
2. Spin the pump coupling to verify there is no binding. Verify that the black rubber coupling insert is firmly seated in the metal pump coupling.
3. Verify that the housing cover (item 16) is on tight (it has left hand threads).
4. Remove the (2) socket head screws and nuts from the motor/motor mount.
5. Position the pump and motor couplings for proper alignment.
6. Slide the pump tube and motor together until the couplings mate and are completely seated.
7. Install the (2) socket head screws and nuts and tighten securely.
8. Connect Static protection kit per diagram located below.

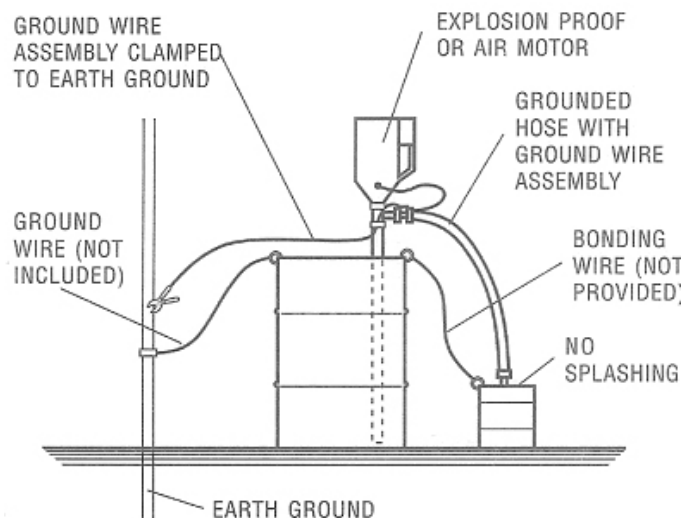


NOTE: When pumping flammable or combustible materials, DO NOT operate pump unless the static protection kit is properly connected; otherwise, the pump/motor will not comply with ATEX requirements.

Static Protection Kit Assembly

Hose attachment to pump:

1. Place the stainless steel hose clamp onto the short section of the grounded hose.
2. Slide the short section of the grounded hose assembly over the pump tubes discharge spout. Tighten the clamp.
3. Attach the ground wire assembly to the pump tube using the #8 ring terminal and supplied 8-32 x 1/4" brass screw and brass lock washer.
4. Attach the ground wire assembly to the motor (see instructions below).
5. Check electrical continuity between the clamp on the end of the ground wire assembly and the end of the grounded hose. The electrical resistance must be one (1) Ohm or less. If it is greater than one (1) Ohm, re-check all connections.



Ground wire attachment to motors:

Electric Explosion Proof:

1. Screw #10-32 plated nut onto exposed machine screw in motor housing.
2. Attach #10 ring terminal from the end of the ground wire assembly to exposed machine screw in motor housing using #10-32 plated nut and #10 lock washer.

Air Motor:

1. Remove one of the Allen head set screws from the motor mount.
2. Slide the 1/4-20 x 5/8" long round head machine screw through the 1/4" ring terminal on ground wire assembly.
3. Thread 1/4-20 plated nut onto the screw.
4. Insert the screw into the hole on the motor mount and tighten (do not over tighten).
5. Using a 7/16" wrench, tighten the 1/4-20 nut against the ring terminal.

Drum Pump Installation

1. Install the pump and Static Protection Kit as described and shown in Figure 2.
2. Connect the ground wire assembly to an earth ground using the supplied clamp.
3. Connect the ground wire between the drum and the earth ground.
4. Connect the ground wire between the receiving container and earth ground (or use a bonding wire to connect to the drum).
5. Check electrical continuity of all components before pumping. All should be one (1) Ohm or less.
6. Avoid splashing when operating the pump. Splash filling can create static electricity.

PFS Maintenance

Disassembly

1. Remove the housing cover (item 16) by turning it clockwise (left hand thread) while gripping the impeller housing (item 13).
2. Turn the impeller (item 15) counterclockwise (right-hand thread) while holding the coupling half (item 2) with the other hand to prevent the shaft from turning and remove it.
3. Remove the impeller housing (item 13) by gripping the intake tube and turning the housing clockwise (left hand thread).
4. Place a wooden board or rubber mat on the floor (to protect the threads on the bottom of the shaft) and gently tap the shaft (item 14) on it until the inner tube (item 9), shaft sleeve (item 10), and bottom bearing (item 11) drops out. Continue to tap the shaft until both bearings (item 3) are exposed at the top of the pump.
5. Pull the bearings and shaft out through the top of the pump.

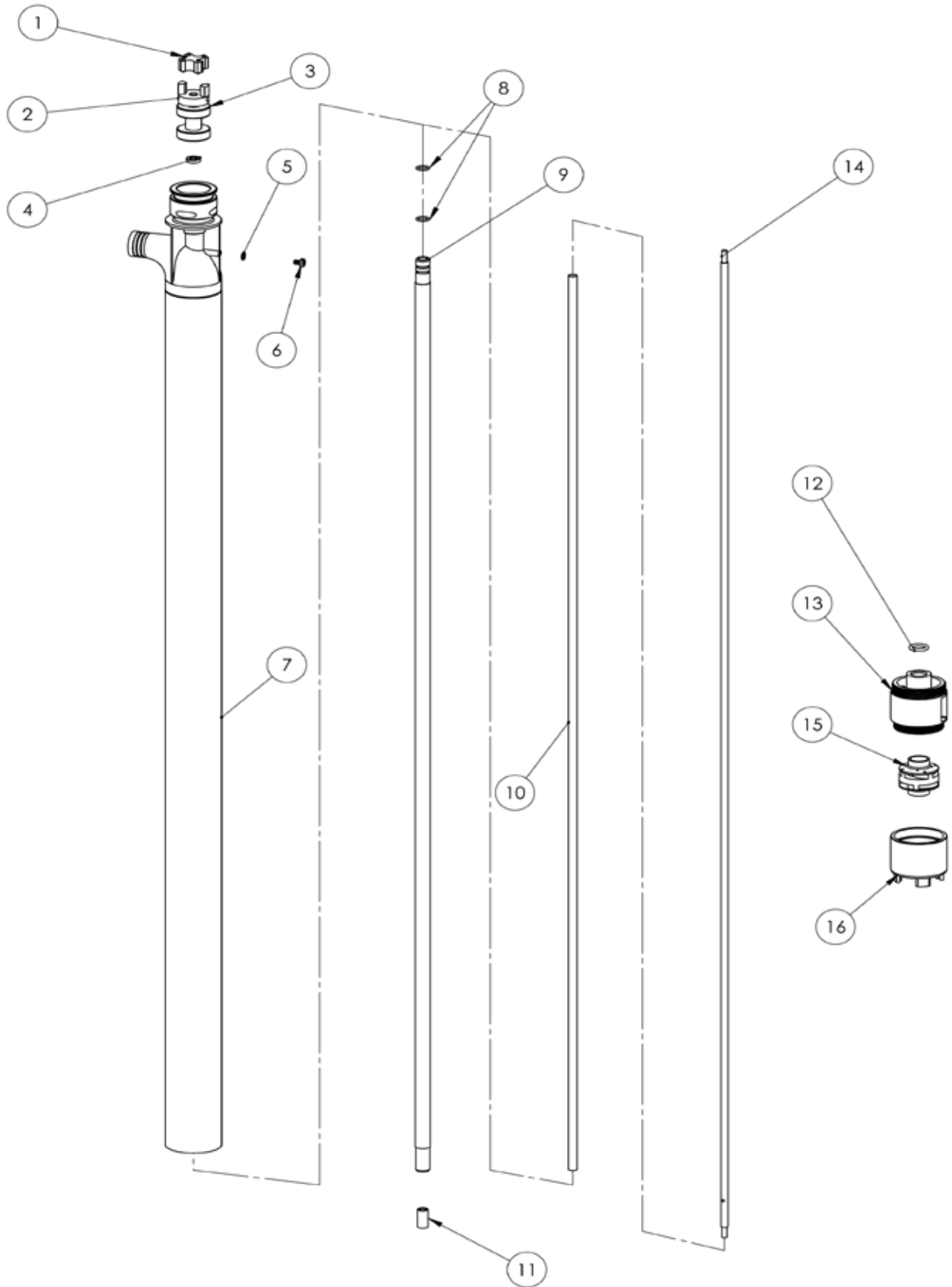
Inspection

1. Check the housing cover (item 16), the impeller (item 15), and the impeller housing (item 13) for wear, rubbing, or damage from foreign objects. Replace if damaged.
Note: The double impeller design of this pump is dependant on the impeller working correctly. Any damage to the impeller can cause pump failure.
2. Inspect the pump shaft (item 14) for wear in the bottom bearing (item 11) and the lip seal (item 4) areas. Replace the shaft if needed.
3. Inspect the bottom bearing (item 11) for internal wear. Inspect all o-rings (items 8 & 12) for nicks or chemical attack. Replace as needed.
4. Inspect the bearing assembly (item 3) for rust or corrosion.
5. If the bearing assembly needs to be replaced, unthread it from the shaft. Hold the bearing assembly by the half coupling. Turn the shaft counterclockwise (right hand thread) to loosen and remove. If corroded, then a penetrating fluid may be used on the threads to help loosen.
Note: Never reuse the lip seal.

Reassembly

1. Install new lip seal (item 4) into the pump head with the grooved side facing the bottom of the pump.
2. If bearing assembly is replaced -- thread the shaft (item 14) into the bearing assembly (item 3) with the longer threaded end. Carefully insert the shaft straight through the lip seal (to avoid seal damage) from the top and seat the bearing assembly (item 3) into the pump head.
3. If o-rings are replaced -- install 2 inner tube o-rings (item 8) in the grooves. Install the impeller housing o-ring (item 12) inside the top of the housing. Apply a small amount of Vaseline to the o-rings to aid in assembly.
4. With the pump on a bench, slide shaft liner (item 10) into the inner tube (item 9) assembly onto the shaft until it stops. Slide the shaft liner/inner tube/shaft assembly into the outer tube (item 7) using the shaft (item 14) as a guide.
5. Slide the impeller housing over the shaft, center the bottom of the lower inner tube into the counter bore in the top of the impeller housing, and push / thread into the intake tube bottom (left hand thread).
6. Gripping the coupling at the top of the pump, thread the impeller on (right hand thread). Install the housing cover (left hand thread). turn the coupling to verify there is no binding inside the pump.

PFS ATEX SPARE PARTS EXPLODED VIEW



PUMP SPARE PARTS LIST

ITEM	QTY	DESCRIPTION	PART NUMBER
1	1	COUPLING INSERT	
			J100014
2	1	COUPLING HALF	
		CAST ALUMINUM 1/4"-20 THREAD FOR S/N 211770 & UP	J100012-2
3*	1	BEARING ASSEMBLY (INCLUDES COUPLING HALF)	
			A101110
4*	1	LIP SEAL	
		1/4"	107622
5	1	LOCK WASHER	
		#8 BRASS	J100823
6	1	SCREW	
		#8-32 X 1/4 BRASS PAN HEAD	J100822
7	1	INTAKE TUBE ASSEMBLY	
		27" MODELS	107619-1
		40" MODELS	107619-2
		48" MODELS	107619-3
		60" MODELS	107619-4
		72" MODELS	107619-5
8*	2	INNER TUBE O-RING	
		PERLAST	105620
9	1	STAINLESS STEEL INNER TUBE	
		27" MODELS	107616-1
		40" MODELS	107616-2
		48" MODELS	107616-3
		60" MODELS	107616-4
		72" MODELS	107616-5
10*	1	PTFE SHAFT SLEEVE	
		27" MODELS	107615-1
		40" MODELS	107615-2
		48" MODELS	107615-3
		60" MODELS	107615-4
		72" MODELS	107615-5
11*	1	BOTTOM BEARING	
		PTFE	108195
12*	1	IMPELLER HOUSING O-RING	
		PERLAST	107621
13	1	IMPELLER HOUSING	
		Stainless steel	**
14	1	SHAFT	
		27" MODELS	M100004-5
		40" MODELS	M100004-7
		48" MODELS	M100004-8
		60" MODELS	M100004-12
		72" MODELS	M100004-13
15*	1	IMPELLER ASSEMBLY	
		ETFE	A100002-3
16	1	HOUSING COVER	
		STAINLESS STEEL	**

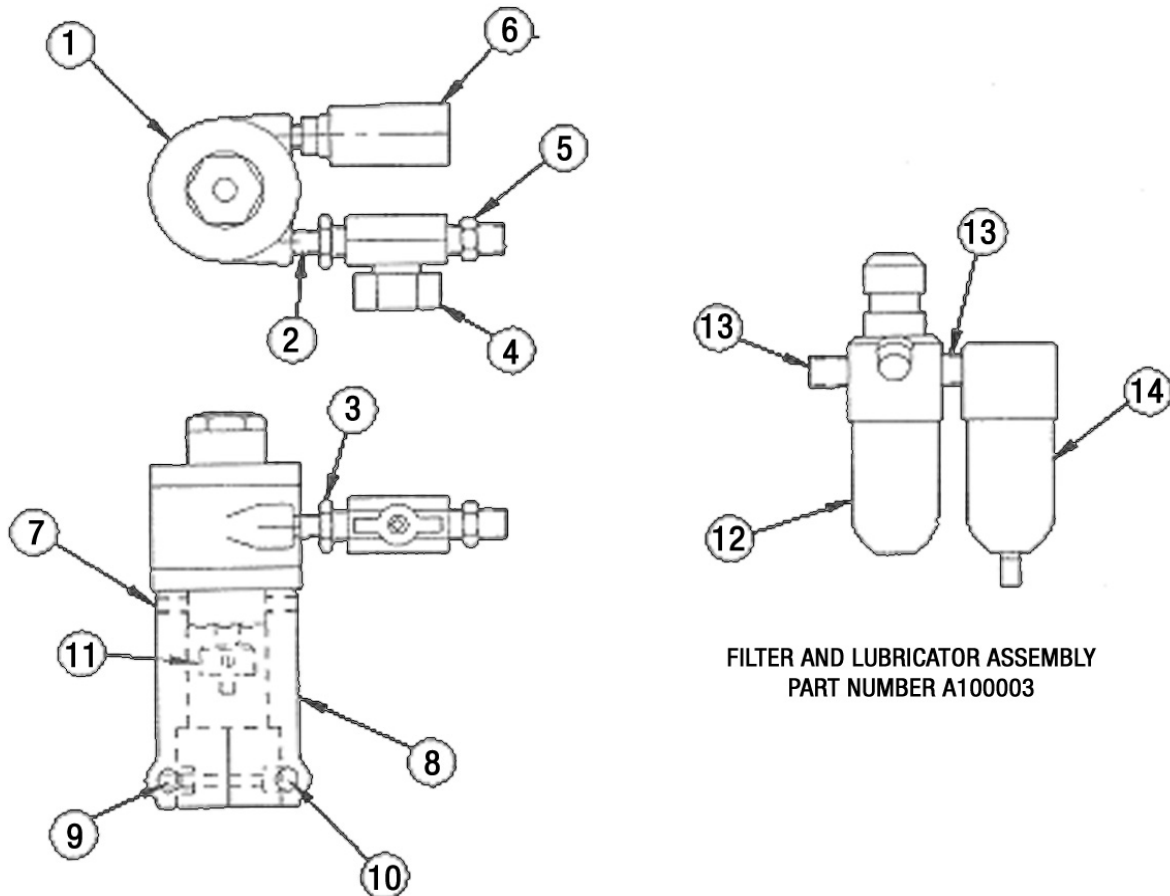
*Recommended Spare Parts

If either impeller housing or housing cover are being replaced, both **must be ordered to ensure proper fit. Part number for housing cover and impeller housing kit is 108130.

M6A AIR MOTOR SPARE PARTS LIST & VIEW

ITEM	QTY	DESCRIPTION	PART NUMBER
1	1	AIR MOTOR	M101717
2	1	PIPE NIPPLE	J100107
3	1	HEX REDUCER BUSHING	J100057
4	1	BALL VALVE	J100073
5	1	HOSE FITTING	J100036
6	1	MUFFLER	J100033
7	2	SET SCREW	J100040
8	1	AIR MOTOR MOUNT	M100013-3
9	2	CAP SCREW SOCKET HEAD	J100023
10	2	NUT HEX	J100024
11	1	HALF COUPLING	J100013
12	1	LUBRICATOR	J100035
13	2	PIPE NIPPLE	J102463
14	1	FILTER	J100034

Not shown: Air Motor Repair Kit J100060

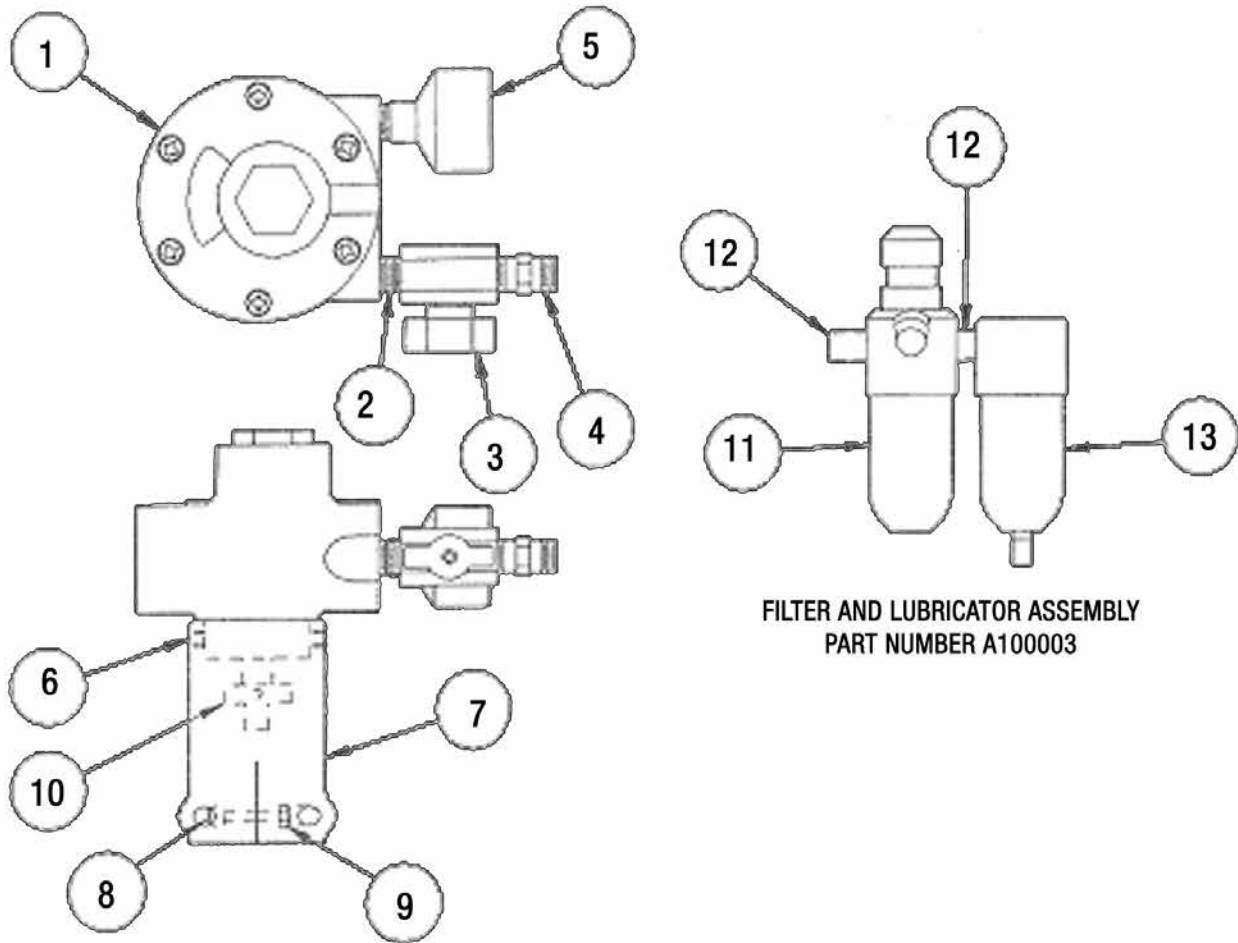


**FILTER AND LUBRICATOR ASSEMBLY
PART NUMBER A100003**

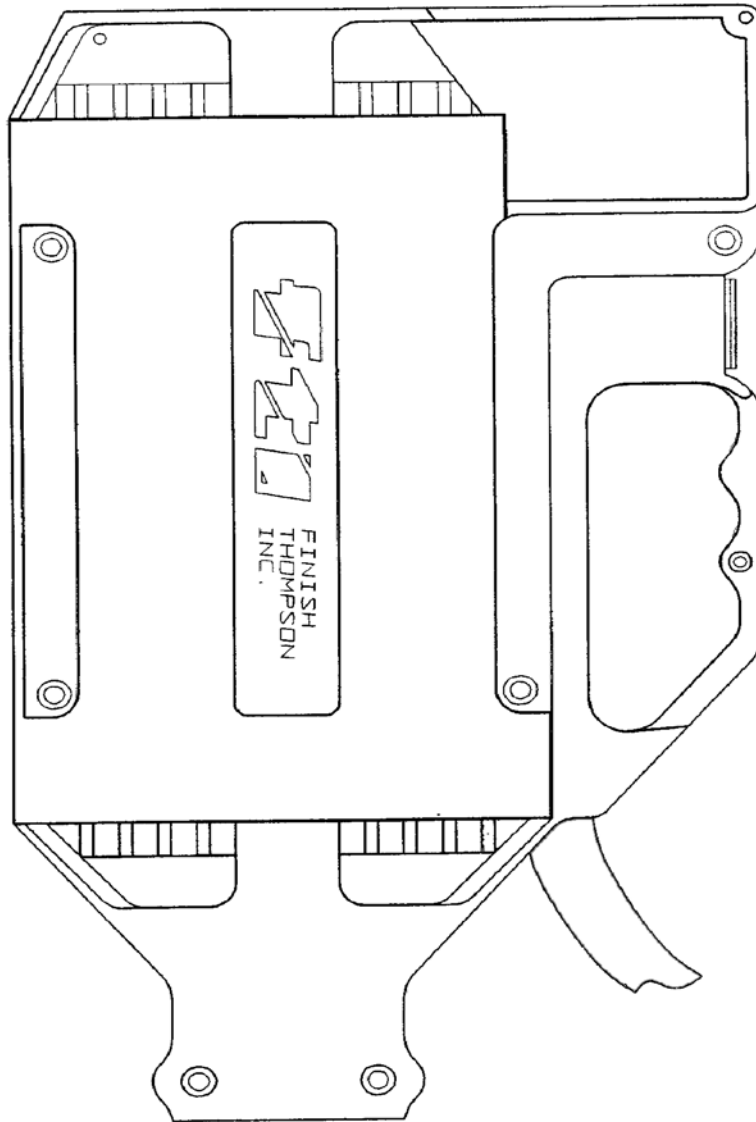
M6XA AIR MOTOR SPARE PARTS LIST & VIEW

ITEM	QTY	DESCRIPTION	PART NUMBER
1	1	AIR MOTOR	M101720
2	1	PIPE NIPPLE	J102463
3	1	BALL VALVE	J100073
4	1	HOSE FITTING	J100036
5	1	MUFFLER	J100074
6	2	SET SCREW	J100040
7	1	AIR MOTOR MOUNT	M100013-4
8	2	CAP SCREW SOCKET HEAD	J100023
9	2	NUT HEX	J100024
10	1	HALF COUPLING	J101500
11	1	LUBRICATOR	J100035
12	2	PIPE NIPPLE	J102463
13	1	FILTER	J100034

Not shown: Air Motor Repair Kit J100075



M10X ELECTRIC MOTOR SPARE PARTS



The "M10X" Series motor housing repair kit number is A101455. **Repairs to any item other than the thermoplastic enclosure voids warranty.**

Note: Motor housing repair kits include motor covers, labels and screws to repair the motor should it be damaged.

M10X Switch Replacement Instructions

⚠ Warning: Motor is ATEX certified and repair work must be performed by persons with competent electrical skills who are familiar with ATEX regulations.

⚠ Warning: Make sure the machined aluminum surfaces of the explosion proof housing are not scratched or damaged during assembly/disassembly.

1. Remove the screws from plastic motor housing and strain relief connector. *See figure 1.*
2. Carefully pry two plastic housings apart. The halves are sealed with two beads of silicone caulking but will separate. Remove the aluminum motor from the plastic housing.
3. Remove the screws from the top aluminum cover. *See figure 2.*
4. Pull the switch up from the slots in the motor housing and remove the wires from the switch terminals. Note the wire locations. *See figure 3.*
5. Press wire terminals onto the terminals of the new switch making sure they are in the correct location. When the letters “E-T-A” on one side of the switch are facing up, the line connectors are on the right switch terminals and the load connectors are on the left switch terminals.
6. Press the switch into slots of the aluminum housing. Make sure the letters “E-T-A” on one side of the switch is facing up. The sides of the switch are trimmed at the factory to fit the slot, slight additional trimming may be required. *See figure 4.*
7. Replace the aluminum cover and install screws until they are tight.
8. Install a bead of silicone caulking in the center slot of each plastic motor half. *See figure 5.*
9. Place the motor body in the slot of one plastic motor half and place the other plastic motor half on top. *See figure 6.*
10. Reinstall all the screws. Plug in the motor and turn it on to verify proper operation.



Figure 1



Figure 2



Figure 3



Figure 4



Figure 5



Figure 6



(1) **QUALITY ASSURANCE NOTIFICATION**

(2) **Equipment or Protective Systems or Components Intended for use
in Potentially Explosive Atmospheres**
Directive 94/9/EC

(3) Notification number
FTZÚ 08 ATEX Q 003
(3. edition)

(4) Group of products:
Pump and pumping assembly category M1 and flameproof electric motor with type of protection:
Protection by constructional safety "c"
Flameproof enclosure "d"
Intrinsic safety "I"

(5) Applicant: **Finish Thompson, Incorporated,**
921 Greengarden Rd., Erie, Pennsylvania 16501

(6) Manufacturer: **Finish Thompson, Incorporated,**
921 Greengarden Rd., Erie, Pennsylvania 16501

(7) The Physical Technical Testing Institute, notified body number 1026 for Annexes IV and VII in accordance with Article 9 of the Council Directive 94/9/EC of 23 March 1994, notifies to the applicant that the actual manufacturer has a quality system which complies with Annex IV and VII of the Directive.

(8) This notification is based upon Audit Report No. FTZÚ 08/ATEX/003 issued the 25th May 2015 and extend validity of previous notification, issued on 29th May 2011.

This notification can be withdrawn if the manufacturer no longer satisfies the requirements of Annex IV and VII.

Results of periodical re-assessment of the quality system are part of this notification.

(9) This notification is valid until 31 May 2018 and can be withdrawn if manufacturer does not satisfy the quality assurance re-assessment.

(10) According to Article 10(1) of the Directive 94/9/EC the CE marking shall be followed by the identification number 1026 identifying the FTZÚ as notified body involved in the production control stage.

Responsible person:

Dipl. Ing. Lukáš Martinák
Head of Certification Body



Date of issue: 29 of May, 2015

Number of pages: 2 Annexes: 0

This notification may only be reproduced in its entirety and without any changes.



(11) **Schedule**

(12) **QUALITY ASSURANCE NOTIFICATION No. FTZÚ 08 ATEX Q 003**
(3. edition)

(13) The following certificate(s) are included within the scope of this Quality Assurance Notification:

FTZÚ 04 ATEX 0293X

FTZÚ 08 ATEX 0083

FTZÚ 14 ATEX 0200X

FTZÚ 14 ATEX 0210

Responsible person:

Dipl. Ing. Lukáš Martinák
Head of Certification Body



Date of issue: 29 of May, 2015

Number of pages: 2 Annexes: 0

This notification may only be reproduced in its entirety and without any changes.



FINISH THOMPSON INC.

921 Greengarden Road • Erie, PA 16501-1591 U.S.A.
Ph 814-455-4478 • Fax 814-455-8518
Email fti@finishthompson.com • www.finishthompson.com

EU DECLARATION OF CONFORMITY

Finish Thompson Inc. hereby declares that the following machines fully comply with the applicable health and safety requirements as specified by the EU Directives listed. This declaration is valid provided that the devices are fully assembled and no modifications are made to these machines.

Type of Device:
Drum or Container Pump

Pump Models:
PFS-27, PFS-40, PFS-48, PFS-60, PFS-72

EU Directives:
Equipment and protective systems intended for use in potentially
explosive atmospheres (2014/34/EU)

EU-Type Examination:
Physical Technical testing Institute 1026
Ostrava-Radvanice
FTZU 04 ATEX 0293X

Product Quality Assurance Notification:
Physical Technical Testing Institute 1026
Ostrava-Radanice
FTZU 08 ATEX Q 003

Applicable Harmonized Standards:
EN 1127-1: 2011
EN 13463-1:2009
EN 13463-5:2011

Casey D. Bowes
CEO and President
August 1, 2016



FINISH THOMPSON INC.

921 Greengarden Road • Erie, PA 16501-1591 U.S.A.
Ph 814-455-4478 • Fax 814-455-8518
Email fti@finishthompson.com • www.finishthompson.com

EU DECLARATION OF CONFORMITY

Finish Thompson Inc. hereby declares that the following machines fully comply with the applicable health and safety requirements as specified by the EU Directives listed. This declaration is valid provided that the devices are fully assembled and no modifications are made to these machines.

Type of Device:
Pump Motor

Pump Motor Models:
M10X

EU Directives:
Equipment and protective systems intended for use in potentially
explosive atmospheres (2014/34/EU)

EU-Type Examination:
Physical Technical Testing Institute 1026
Ostrava-Radvanice
FTZU 08 ATEX 0083X

Product Quality Assurance Notification:
Physical Technical Testing Institute 1026
Ostrava-Radanice
FTZU 08 ATEX Q 003

Applicable Harmonized Standards:
EN 60079-0:2012
EN 60079-1:2014

Casey D. Bowes
CEO and President
April 20, 2016



EU DECLARATION OF CONFORMITY

Finish Thompson Inc. hereby declares that the following machines fully comply with the applicable health and safety requirements as specified by the EU Directives listed:


Type of Device:
Pump Motor

Pump Motor Models:
M6A, M6XA

EU Directives:
Equipment and Protective Systems Intended For Use In Potentially
Explosive Atmospheres (2014/34/EU)

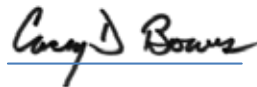
Applicable Harmonized Standards:
DIN EN 1127-1:2011
DIN EN 13463-1:2009
DIN EN 13463-5: 2011

The products are marked with the following characteristics:

 II 2 GDc +1°C Ta +40°C

Documentation archived in FTZÚ Ostrava Radviance, EU code 1026

This declaration is valid provided that the devices are fully assembled and no modifications are made to these machines.



Casey D. Bowes
CEO and President
20 April 2016



FINISH THOMPSON INC.

Service 1-800-888-3743
P/N 105619 Rev. 16, 5/19/2017