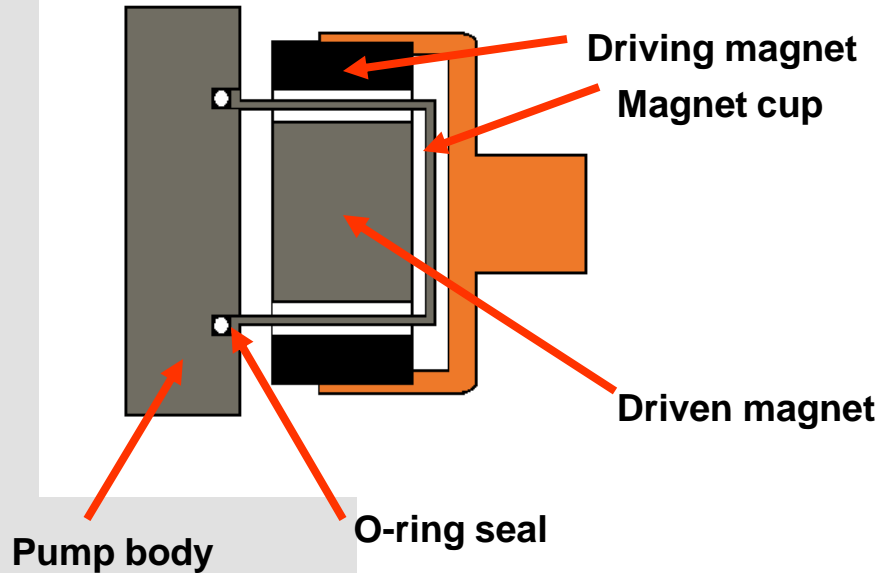
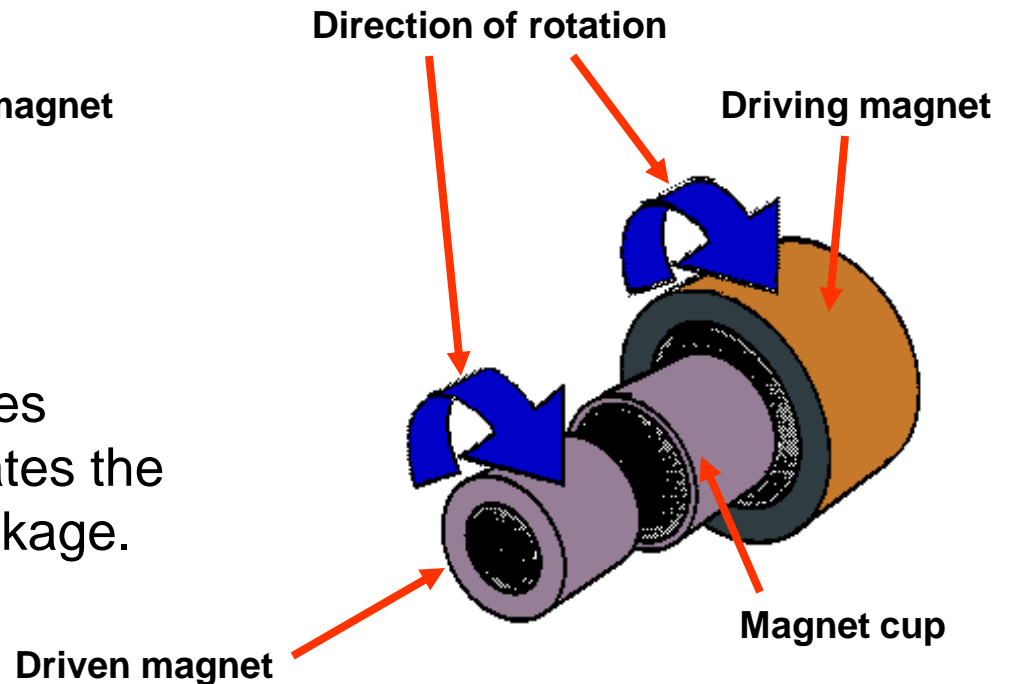


## How a magnet drive works

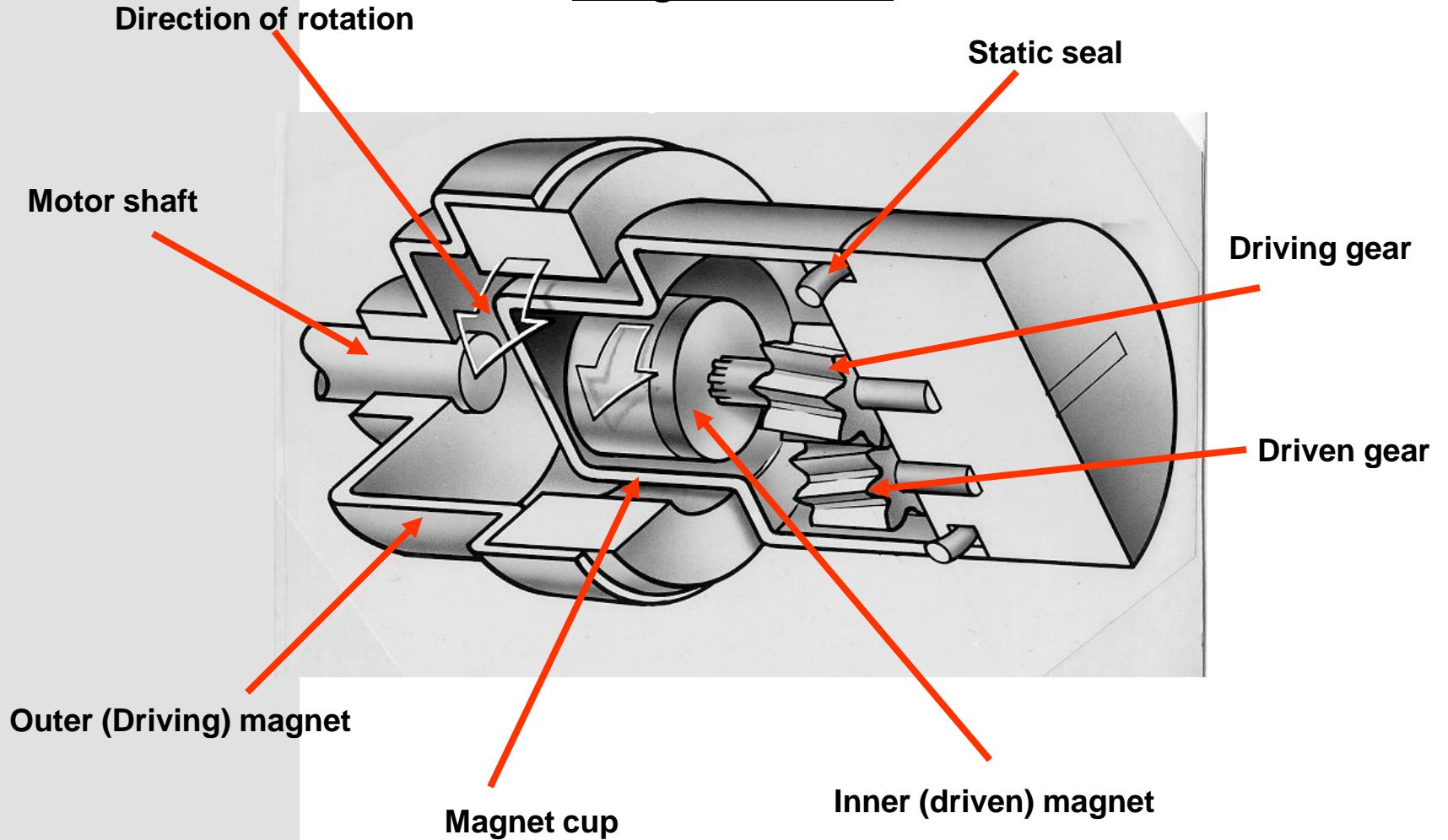


- Magnetically coupled pumps utilise a static seal that is not subject to wear from moving parts.

- Using a static seal greatly reduces maintenance and virtually eliminates the possibility of contamination or leakage.



## Magnet Drive





**VIKING  
PUMP**

A Unit of IDEX Corporation

Viking Gear Pumps

**Liquiflo** 

Liquiflo Gear Pumps



**FINISH THOMPSON INC.**

Finish Thompson Drum & Centrifugal Pumps

**MICROPUMP**

Micropump Gear Pumps

**OFFICIAL**

**DISTRIBUTORS**

**FOR:**



Codip Air Operated PTFE Diaphragm Pumps

**WANNER**  
*Hydra-Cell*  
Seal-less Pump Technology

Hydra-Cell High Pressure Diaphragm Pumps

**HNP M**  
HNP Mikrosysteme

HNP Gear Pumps

**ISMATEC**

Ismatec Peristaltic Pumps

 **FLUID** METERING, INC.

Fluid Metering Piston Pumps



M Pumps, Centrifugal,  
Turbine and Vane Pumps

